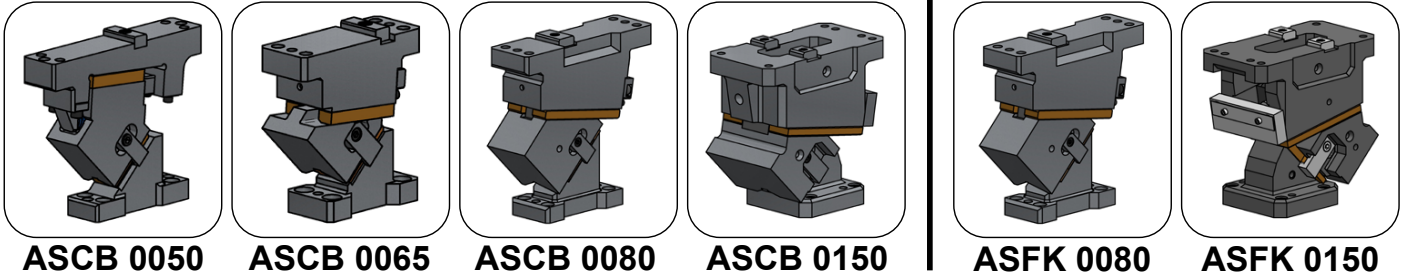




# ASCB-ASFK

Aerial cam for pierce

## General information



### ASCB

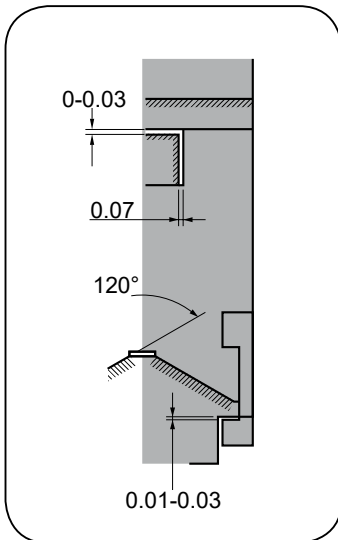
- Aerial cam.
- Angles from 0° to 70° with increments of 5°.
- "V" shaped sliding for auto-centered.
- Extensible mount length.
- Slider easy desassembly from the rear.

### ASFK

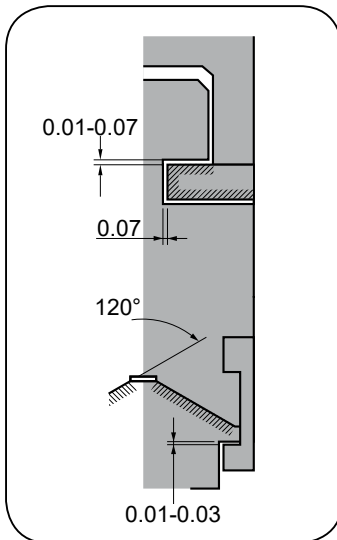
- Spring return in 2 steps.
- Higher return force than ASCB.
- 1.4 times stroger than "ASCB".

## Adjustment clearances

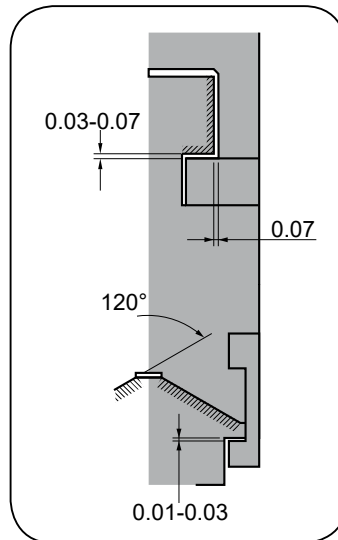
ASCB 0050



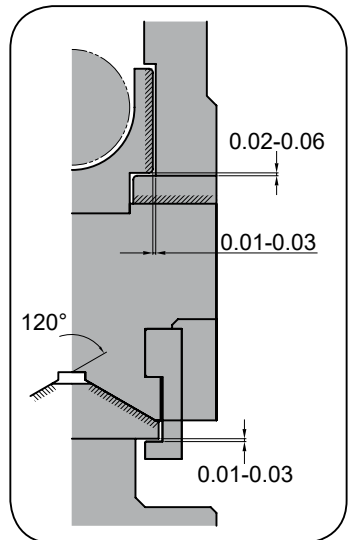
ASCB 0065



ASFK 0080  
ASCB 0080



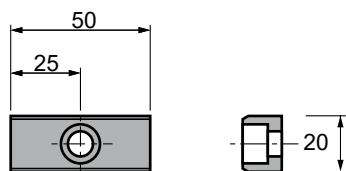
ASFK 0150  
ASCB 0150



## Keys

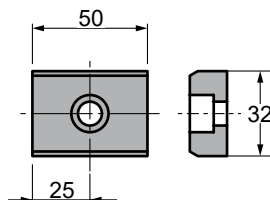
### K

ASCB 0050 / 0065



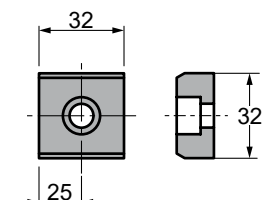
### K

ASFK 0080  
ASCB 0080



### K

ASFK 0150  
ASCB 0150



## Assembling and disassembling

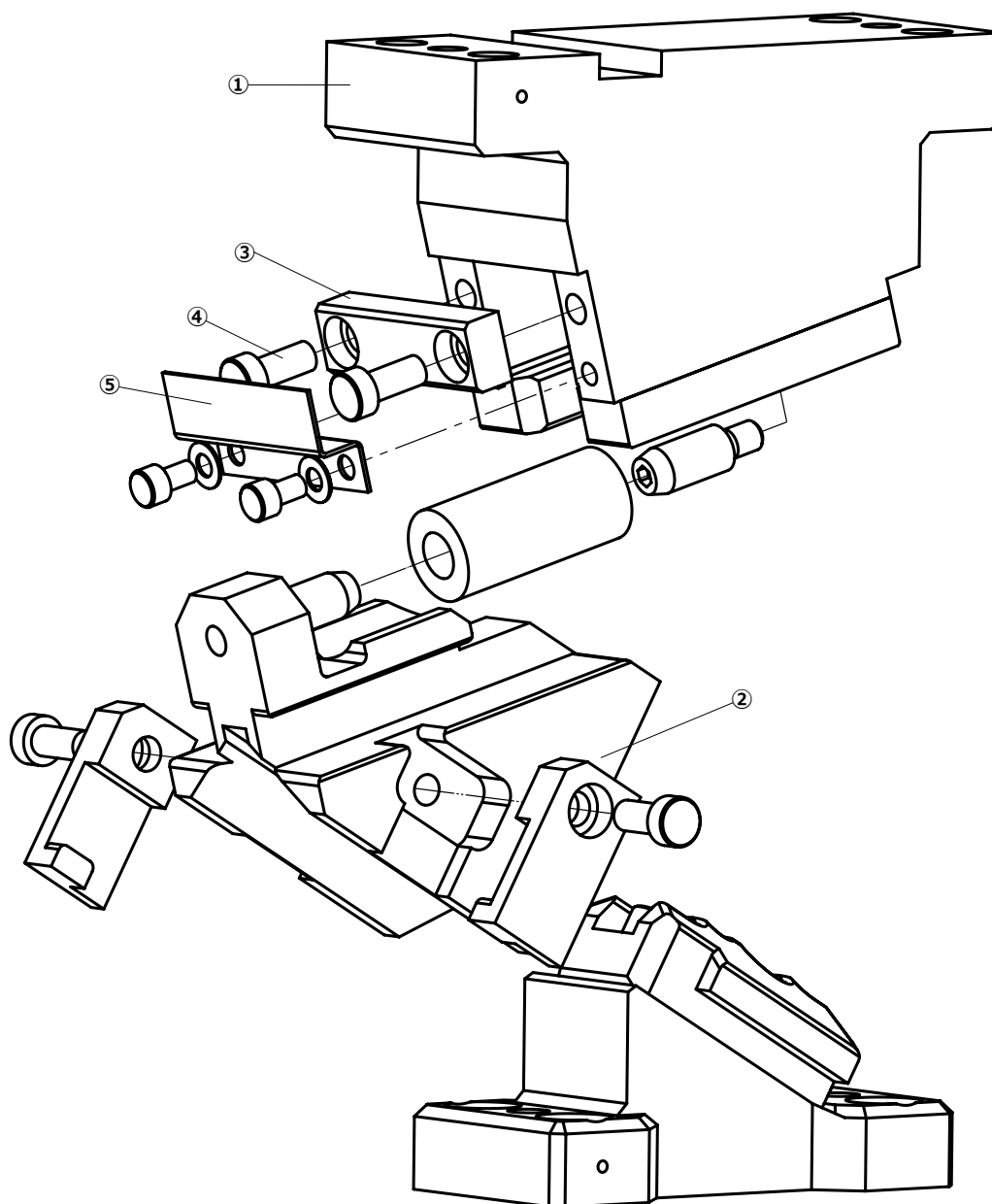
### ASCB 0080 / 00150 ASFK 0080 / 00150

#### Disassembling process

- Remove security plate ⑤
- Unscrew ④ pieces and stopper plate ③.
- Unmount cam slider ② from the support ①.

#### Assembling process

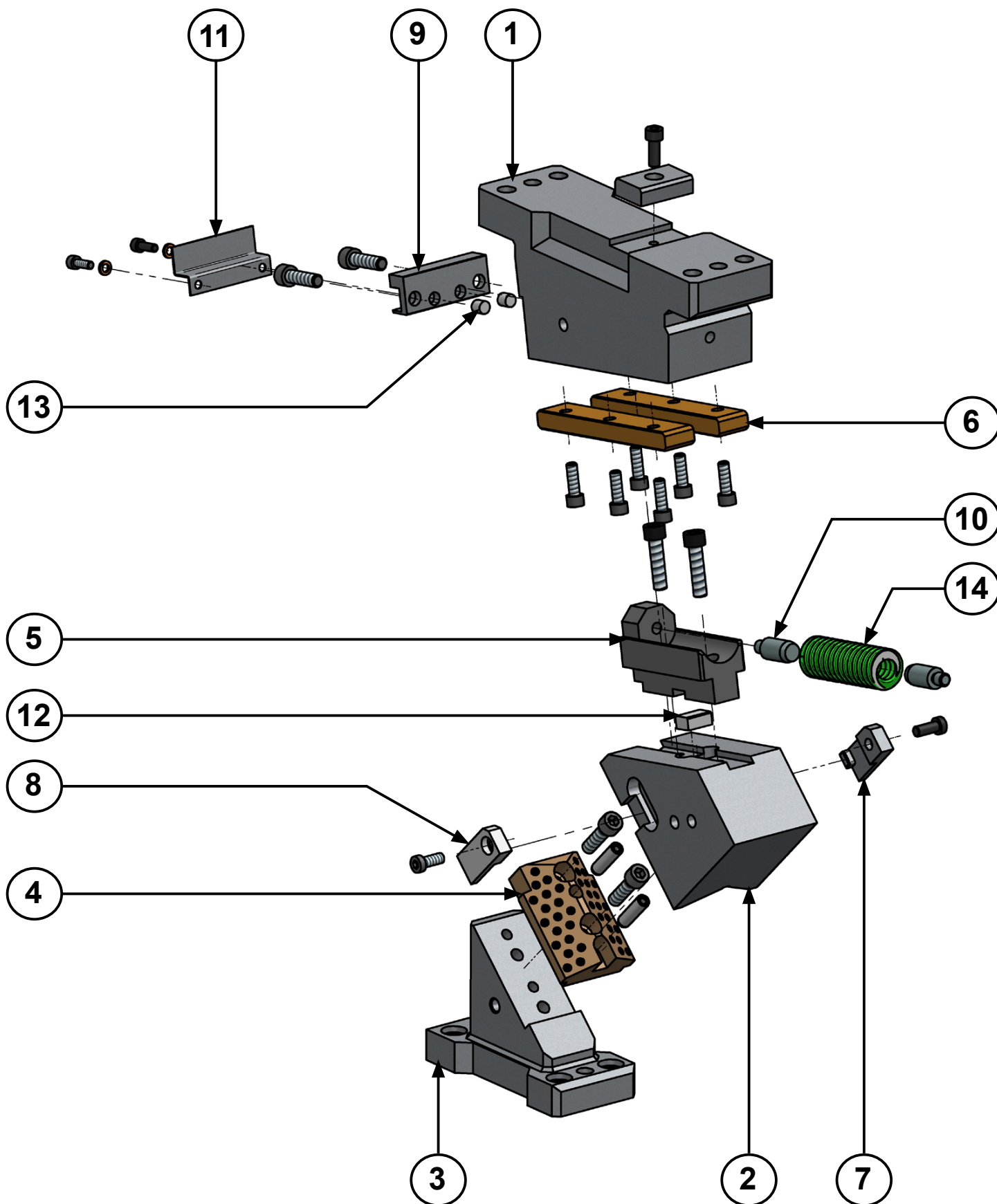
- Make sure that there are no metal shaving or impurities.
- The clearance between the cam holder and slider is controlled.
- Match the serial numbers marked in each part before assembly.
- Make sure that all the screws have been used.





# ASCB 0080

Aerial cam for pierce



# ASCB 0080 - ASFK 0080

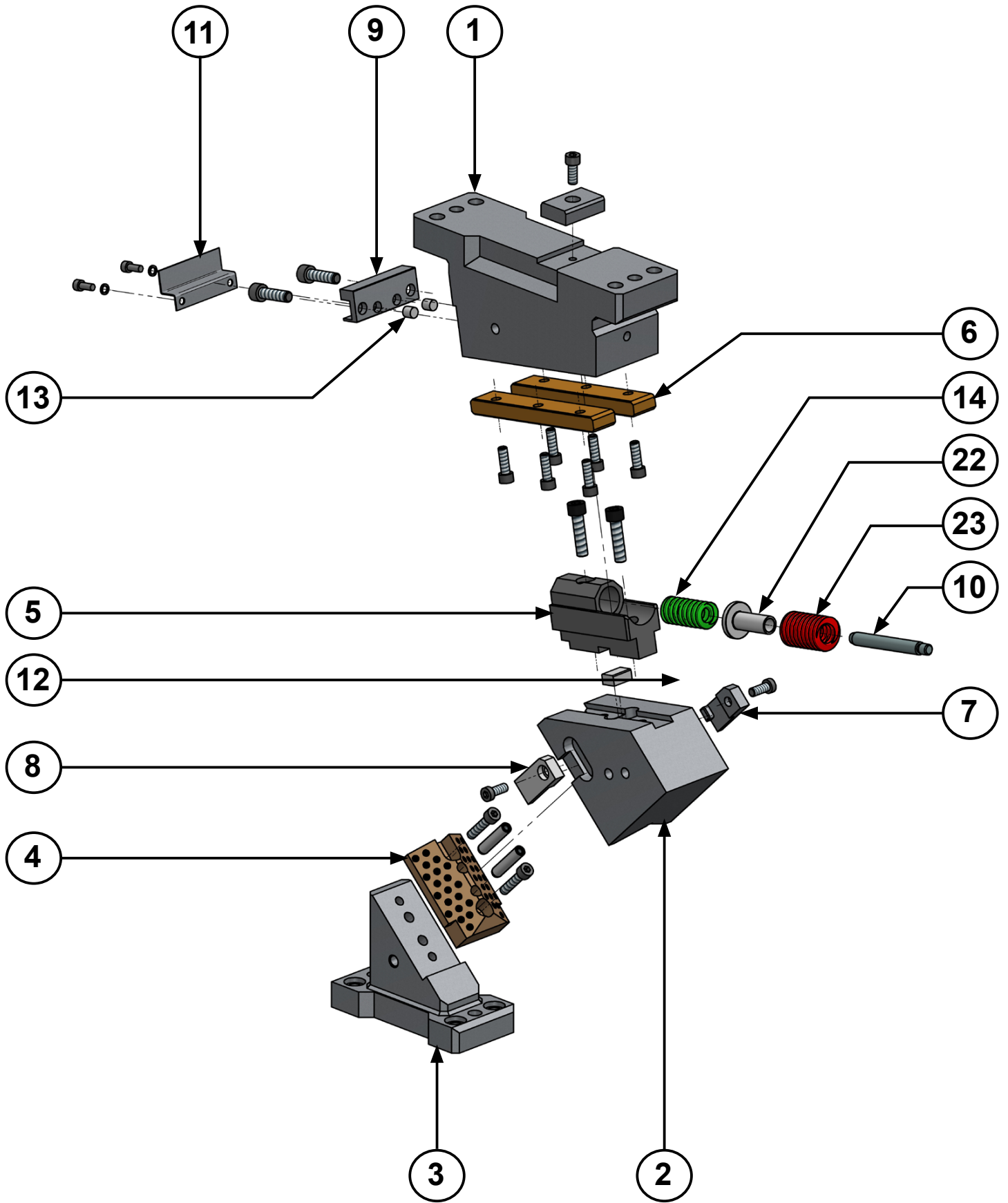


*Aerial cam for pierce*



# ASFK 0080

Aerial cam for pierce







# ASCB 0080 - ASFK 0080

Aerial cam for pierce

Stroke (mm)	Working force kN - (tons)		Spring Force N - (kgf)		Weight (Kg)	Model	W (mm)	$\alpha$ (mm)
	(1 Million Strokes)	(300.000 Strokes)	Initial F <sub>0</sub>	Final F <sub>1</sub>				
32.1	39.2 (4.0)	78.4 (8.0)	270.6 (27.6)	1623.6 (165.7)	25.9	ASCB	0080	00
	54.9 (5.6)	109.8 (11.2)	127.4 (13.0)	3250.0 (331.4)		ASFK		



Order: Model (W) ( $\alpha$ )

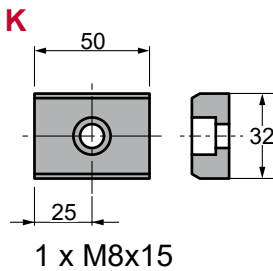
**ASCB 0080 00**

Standard order example according to catalog sheet. Add options applying options table contents.

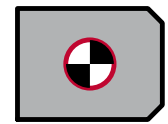
## OPTIONS

**K**

**KEY**



**P PINS**



**P16 - Ø16 H7**

## LM - WM MOUNT

**ASCB**

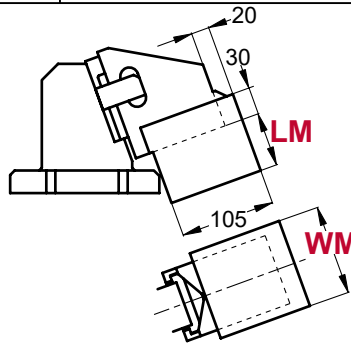
**LM** Extensible slider mount from 1 to 60 mm (increments of 1 mm). e.g. LM50

**WM** Mount width changed to 100 or 120mm. e.g. WM100

**ASFK**

**LM** Extensible slider mount from 1 to 60 mm (increments of 1 mm). f.e. LM50

**WM** Mount width changed from 81 to 120mm (increments of 1 mm). f.e. WM120



Order Options: Model (W) ( $\alpha$ )-Option

**ASCB 0080 00-K**

**ASCB 0080 00-P16**

**ASCB 0080 00-WM100-LM50**

**ASCB 0080 00-P16-WM100-LM60-K**



**SPARE PARTS:**

- ④ Slider guide
- ⑥ Slider Plate
- ⑭ Coil Spring
- ⑳ Coil Spring\*

## COMPONENTS

No.	Description	Qty.	Material
①	Cam Holder	1	GGG50
②	Cam Slider	1	GG25
③	Cam Driver	1	GG25
④	Slider guide	1	Bronze + G
⑤	Slider Guide Block	1	GGG50 + G
⑥	Slider Plate	2	Bronze + G
⑦	Positive Return A	1	CK45
⑧	Positive Return B	1	CK45
⑨	Stopper Plate	1	CK22
⑩	Spring guide	2	CK45
⑪	Security Plate	1	CK45
⑫	Slider Key	1	CK45
⑬	Cushioning Stopper	2	Urethane
⑭	Coil Spring	1	TL35-150

No.	Description	Qty.	Material
⑮	Disc Spring	2	M6
⑯	Dowel Pin	2	Ø8 x 30
⑰	Screw	2	M8 x 18
⑱	Screw	6	M8 x 20
⑲	Screw	4	M10 x 35
⑳	Screw	2	M10 x 30
㉑	Screw	2	M6 x 10
*⑪	Security Plate	1	CK22
*⑭	Coil Spring	1	TF25-100
*⑲	Screw	2	M10 x 35
*㉒	Guide Bush	1	CK45
*㉓	Coil Spring	1	TH35-60
*㉔	Screw	2	M12 x 35
*㉕	Spacing Washer	2	M12



# ASCB 0080 - ASFK 0080

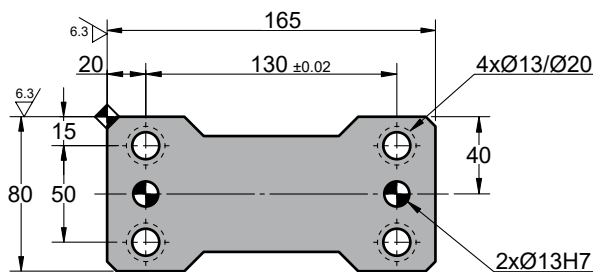
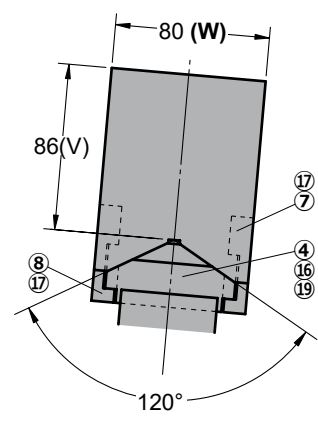
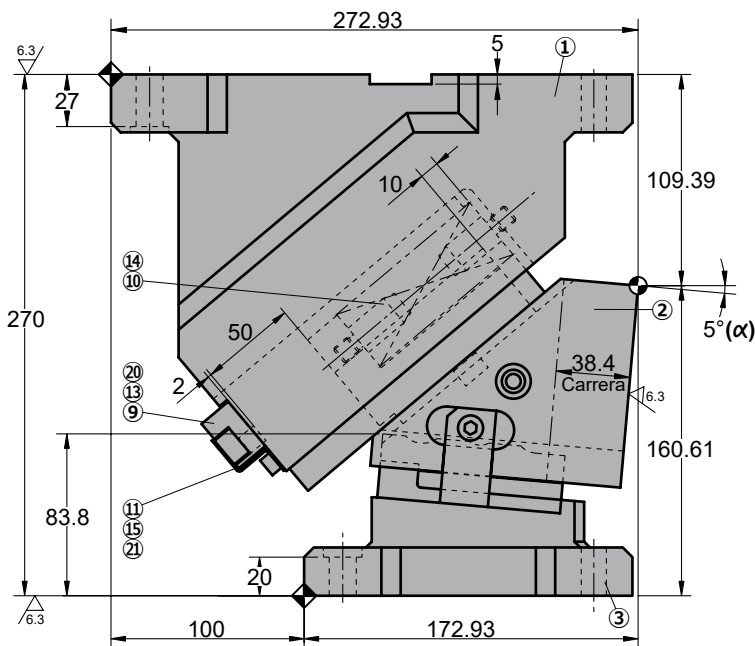
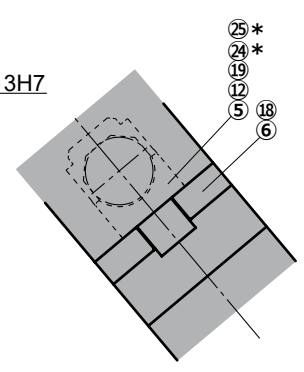
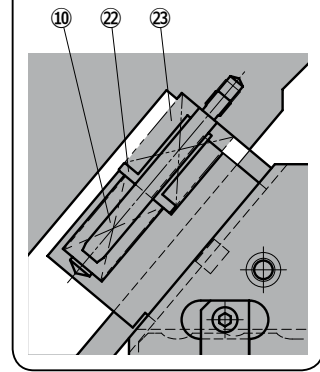
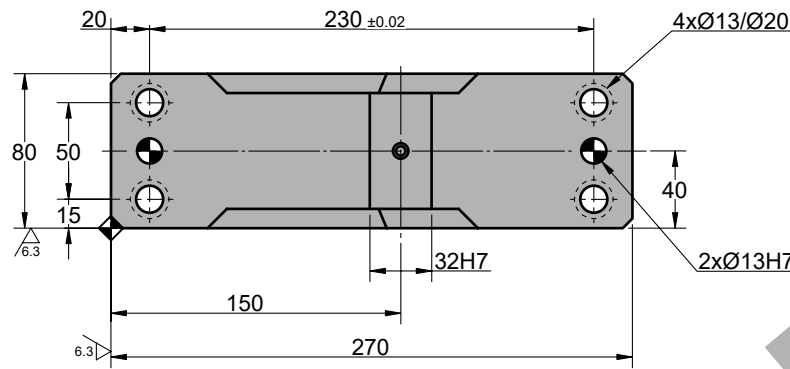
Aerial cam for pierce



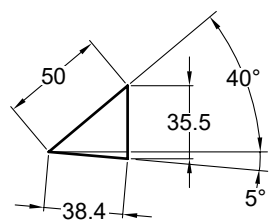
## ASCB 0080 05

## ASFK 0080 05 SPRING SYSTEM

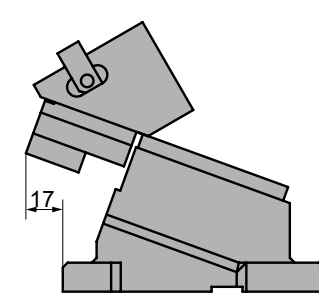
\*-Only for ASFK



### Cam diagram:



### Disassembling space:







# ASCB 0080 - ASFK 0080

Aerial cam for pierce

Stroke (mm)	Working force kN - (tons)		Spring Force N - (kgf)		Weight (Kg)	Model	W (mm)	$\alpha$ (mm)
	(1 Million Strokes)	(300.000 Strokes)	Initial F <sub>0</sub>	Final F <sub>1</sub>				
38.4	39.2 (4.0)	78.4 (8.0)	270.6 (27.6)	1623.6 (165.7)	26.3	ASCB	0080	05
	54.9 (5.6)	109.8 (11.2)	127.4 (13.0)	3250.0 (331.4)		ASFK		



Order: Model (W) ( $\alpha$ )

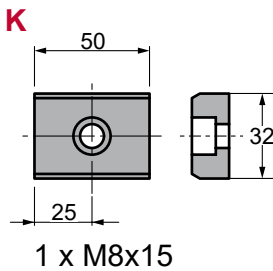
**ASCB 0080 05**

Standard order example according to catalog sheet. Add options applying options table contents.

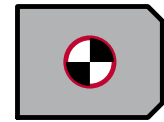
## OPTIONS

**K**

**KEY**



**P PINS**



**P16 - Ø16 H7**

## LM - WM MOUNT

**ASCB**

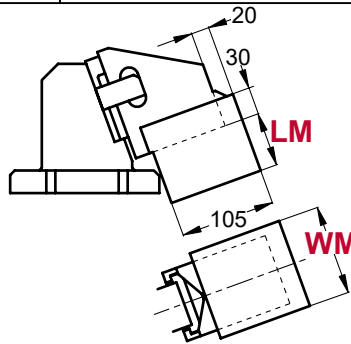
**LM** Extensible slider mount from 1 to 60 mm (increments of 1 mm). e.g. LM50

**WM** Mount width changed to 100 or 120mm. e.g. WM100

**ASFK**

**LM** Extensible slider mount from 1 to 60 mm (increments of 1 mm). f.e. LM50

**WM** Mount width changed from 81 to 120mm (increments of 1 mm). f.e. WM120



Order Options: Model (W) ( $\alpha$ )-Option



**ASCB 0080 05-K**

**ASCB 0080 05-P16**

**ASCB 0080 05-WM100-LM50**

**ASCB 0080 05-P16-WM100-LM60-K**



**SPARE PARTS:**

- ④ Slider guide
- ⑥ Slider Plate
- ⑭ Coil Spring
- ⑳ Coil Spring\*

## COMPONENTS

No.	Description	Qty.	Material
①	Cam Holder	1	GGG50
②	Cam Slider	1	GG25
③	Cam Driver	1	GG25
④	Slider guide	1	Bronze + G
⑤	Slider Guide Block	1	GGG50 + G
⑥	Slider Plate	2	Bronze + G
⑦	Positive Return A	1	CK45
⑧	Positive Return B	1	CK45
⑨	Stopper Plate	1	CK22
⑩	Spring guide	2	CK45
⑪	Security Plate	1	CK45
⑫	Slider Key	1	CK45
⑬	Cushioning Stopper	2	Urethane
⑭	Coil Spring	1	TL35-150

No.	Description	Qty.	Material
⑮	Disc Spring	2	M6
⑯	Dowel Pin	2	Ø8 x 30
⑰	Screw	2	M8 x 18
⑱	Screw	6	M8 x 20
⑲	Screw	4	M10 x 35
⑳	Screw	2	M10 x 30
㉑	Screw	2	M6 x 10
*⑪	Security Plate	1	CK22
*⑭	Coil Spring	1	TF25-100
*⑲	Screw	2	M10 x 35
*㉒	Guide Bush	1	CK45
*㉓	Coil Spring	1	TH35-60
*㉔	Screw	2	M12 x 35
*㉕	Spacing Washer	2	M12

# ASCB 0080 - ASFK 0080

Aerial cam for pierce

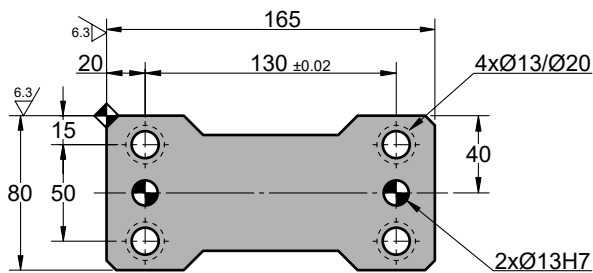
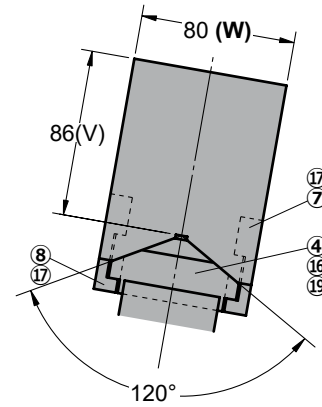
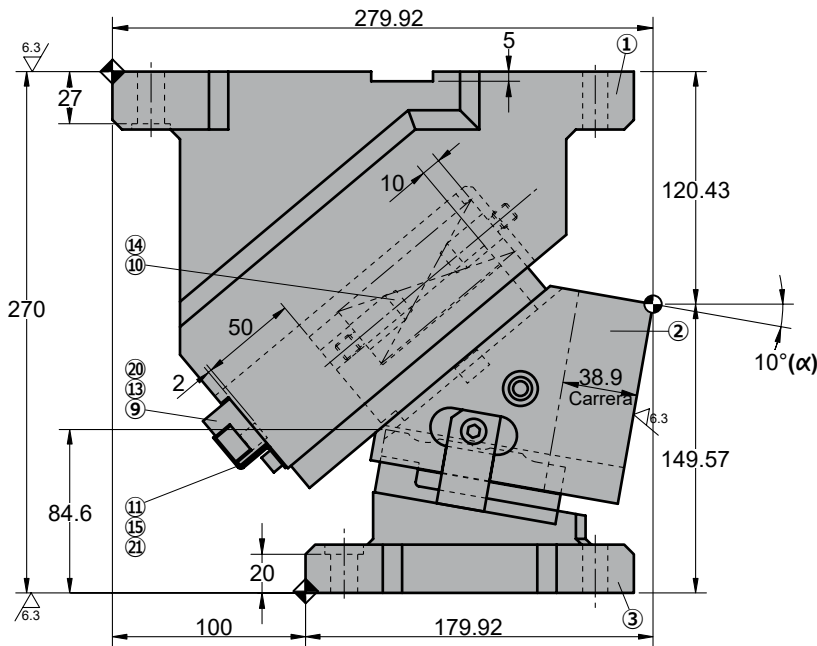
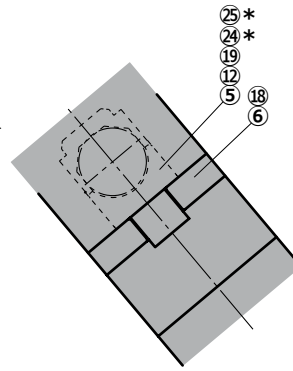
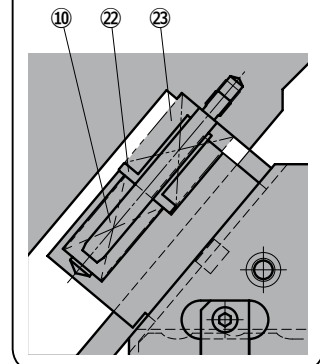
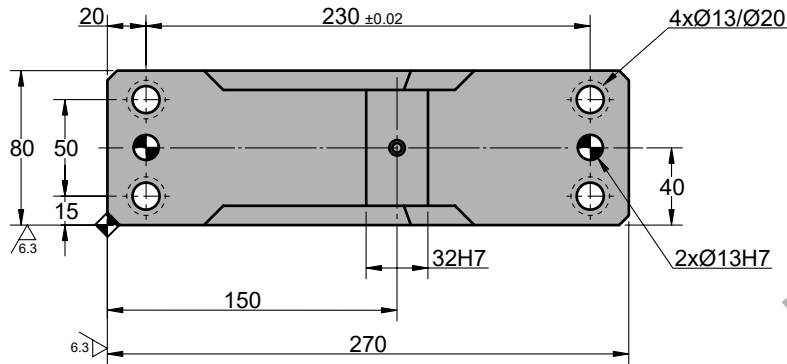


## ASCB 0080 10

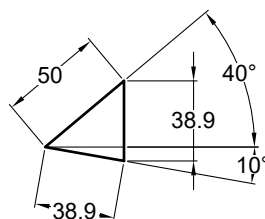
## ASFK 0080 10

SPRING SYSTEM

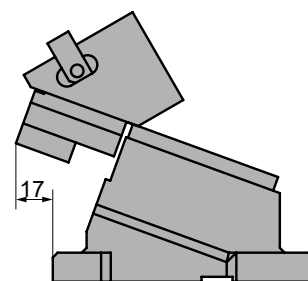
\*-Only for ASFK



### Cam diagram:



### Disassembling space:





# ASCB 0080 - ASFK 0080

Aerial cam for pierce

Stroke (mm)	Working force kN - (tons)		Spring Force N - (kgf)		Weight (Kg)	Model	W (mm)	$\alpha$ (mm)
	(1 Million Strokes)	(300.000 Strokes)	Initial F <sub>0</sub>	Final F <sub>1</sub>				
38.9	39.2 (4.0)	78.4 (8.0)	270.6 (27.6)	1623.6 (165.7)	26.6	ASCB	0080	10
	54.9 (5.6)	109.8 (11.2)	127.4 (13.0)	3250.0 (331.4)		ASFK		



Order: Model (W) ( $\alpha$ )

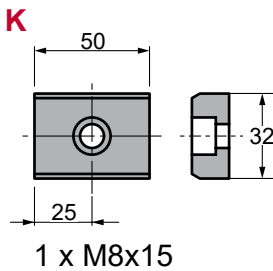
**ASCB 0080 10**

Standard order example according to catalog sheet. Add options applying options table contents.

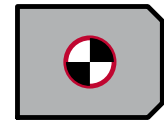
## OPTIONS

**K**

**KEY**



**P PINS**



**P16 - Ø16 H7**

## LM - WM MOUNT

**ASCB**

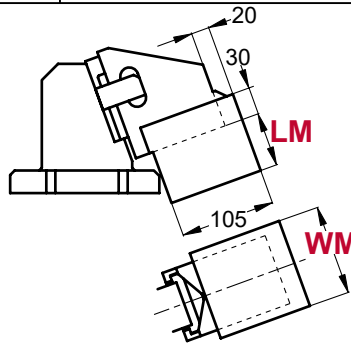
**LM** Extensible slider mount from 1 to 60 mm (increments of 1 mm). e.g. LM50

**WM** Mount width changed to 100 or 120mm. e.g. WM100

**ASFK**

**LM** Extensible slider mount from 1 to 60 mm (increments of 1 mm). f.e. LM50

**WM** Mount width changed from 81 to 120mm (increments of 1 mm). f.e. WM120



Order Options: Model (W) ( $\alpha$ )-Option



**ASCB 0080 10-K**

**ASCB 0080 10-P16**

**ASCB 0080 10-WM100-LM50**

**ASCB 0080 10-P16-WM100-LM60-K**



**SPARE PARTS:**

- ④ Slider guide
- ⑥ Slider Plate
- ⑭ Coil Spring
- ⑳ Coil Spring\*

## COMPONENTS

No.	Description	Qty.	Material
①	Cam Holder	1	GGG50
②	Cam Slider	1	GG25
③	Cam Driver	1	GG25
④	Slider guide	1	Bronze + G
⑤	Slider Guide Block	1	GGG50 + G
⑥	Slider Plate	2	Bronze + G
⑦	Positive Return A	1	CK45
⑧	Positive Return B	1	CK45
⑨	Stopper Plate	1	CK22
⑩	Spring guide	2	CK45
⑪	Security Plate	1	CK45
⑫	Slider Key	1	CK45
⑬	Cushioning Stopper	2	Urethane
⑭	Coil Spring	1	TL35-150

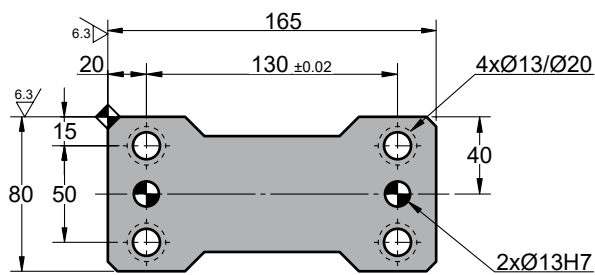
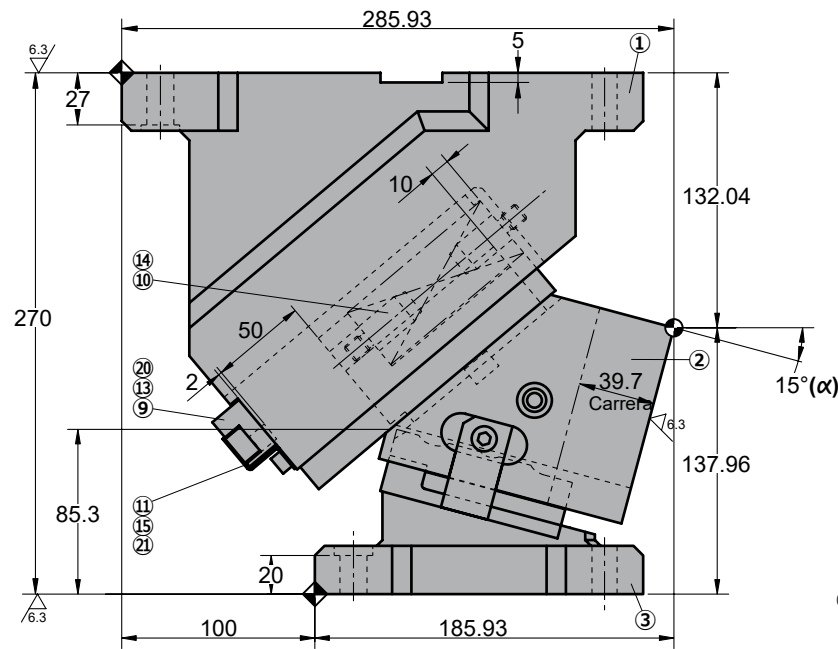
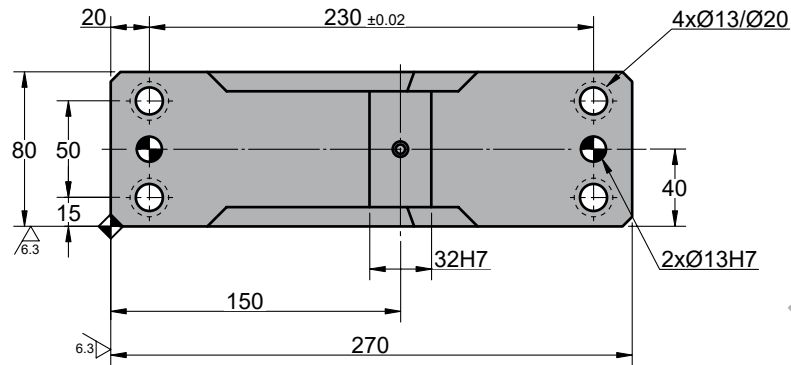
No.	Description	Qty.	Material
⑮	Disc Spring	2	M6
⑯	Dowel Pin	2	Ø8 x 30
⑰	Screw	2	M8 x 18
⑱	Screw	6	M8 x 20
⑲	Screw	4	M10 x 35
⑳	Screw	2	M10 x 30
㉑	Screw	2	M6 x 10
*⑪	Security Plate	1	CK22
*⑭	Coil Spring	1	TF25-100
*⑲	Screw	2	M10 x 35
*㉒	Guide Bush	1	CK45
*㉓	Coil Spring	1	TH35-60
*㉔	Screw	2	M12 x 35
*㉕	Spacing Washer	2	M12

# ASCB 0080 - ASFK 0080

Aerial cam for pierce



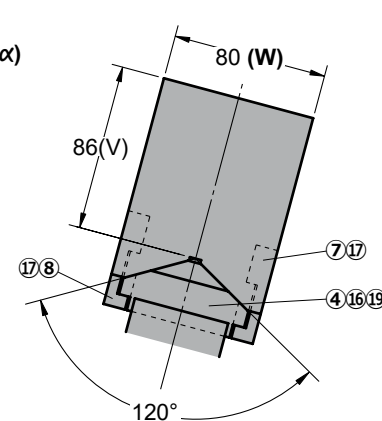
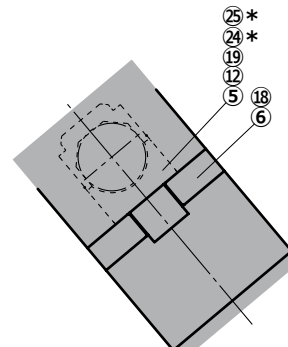
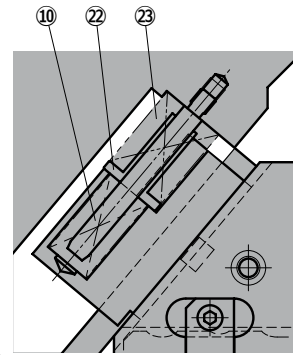
## ASCB 0080 15



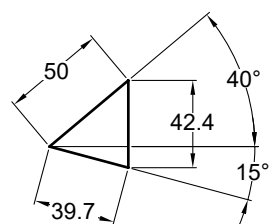
## ASFK 0080 15

SPRING SYSTEM

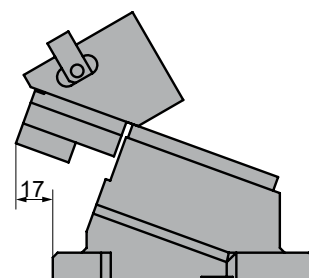
\*-Only for ASFK



### Cam diagram:



### Disassembling space:





# ASCB 0080 - ASFK 0080

Aerial cam for pierce

Stroke (mm)	Working force kN - (tons)		Spring Force N - (kgf)		Weight (Kg)	Model	W (mm)	$\alpha$ (mm)
	(1 Million Strokes)	(300.000 Strokes)	Initial F <sub>0</sub>	Final F <sub>1</sub>				
39.7	39.2 (4.0)	78.4 (8.0)	270.6 (27.6)	1623.6 (165.7)	25.1	ASCB	0080	15
	54.9 (5.6)	109.8 (11.2)	127.4 (13.0)	3250.0 (331.4)		ASFK		



Order: Model (W) ( $\alpha$ )

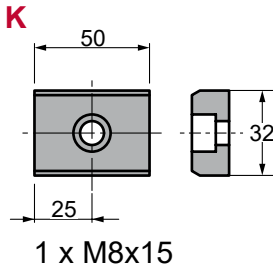
**ASCB 0080 15**

Standard order example according to catalog sheet. Add options applying options table contents.

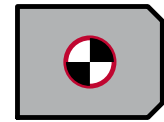
## OPTIONS

**K**

**KEY**



**P PINS**



**P16 - Ø16 H7**

## LM - WM MOUNT

**ASCB**

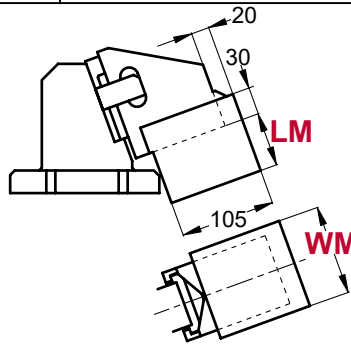
**LM** Extensible slider mount from 1 to 60 mm (increments of 1 mm). e.g. LM50

**WM** Mount width changed to 100 or 120mm. e.g. WM100

**ASFK**

**LM** Extensible slider mount from 1 to 60 mm (increments of 1 mm). f.e. LM50

**WM** Mount width changed from 81 to 120mm (increments of 1 mm). f.e. WM120



Order Options: Model (W) ( $\alpha$ )-Option



**ASCB 0080 15-K**

**ASCB 0080 15-P16**

**ASCB 0080 15-WM100-LM50**

**ASCB 0080 15-P16-WM100-LM60-K**



**SPARE PARTS:**

- ④ Slider guide
- ⑥ Slider Plate
- ⑭ Coil Spring
- ⑳ Coil Spring\*

## COMPONENTS

No.	Description	Qty.	Material
①	Cam Holder	1	GGG50
②	Cam Slider	1	GG25
③	Cam Driver	1	GG25
④	Slider guide	1	Bronze + G
⑤	Slider Guide Block	1	GGG50 + G
⑥	Slider Plate	2	Bronze + G
⑦	Positive Return A	1	CK45
⑧	Positive Return B	1	CK45
⑨	Stopper Plate	1	CK22
⑩	Spring guide	2	CK45
⑪	Security Plate	1	CK45
⑫	Slider Key	1	CK45
⑬	Cushioning Stopper	2	Urethane
⑭	Coil Spring	1	TL35-150

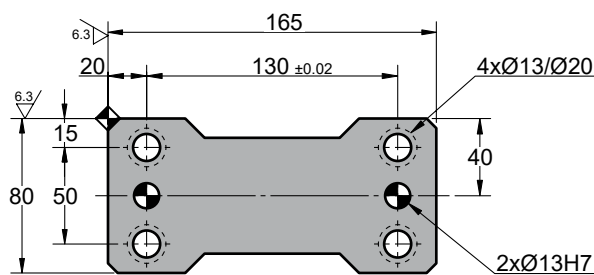
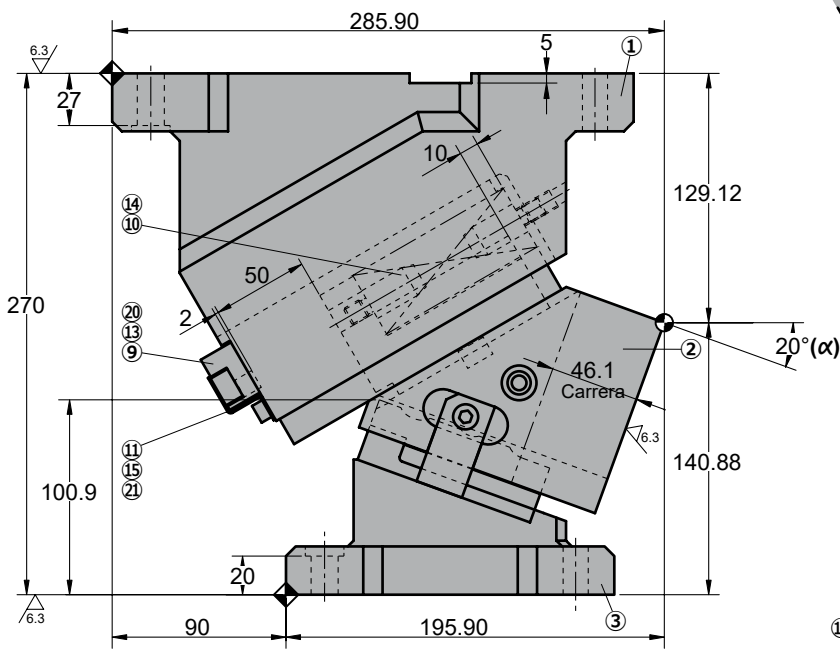
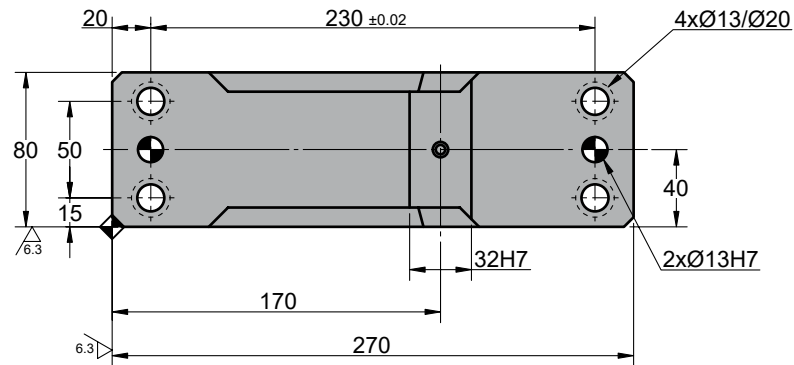
No.	Description	Qty.	Material
⑮	Disc Spring	2	M6
⑯	Dowel Pin	2	Ø8 x 30
⑰	Screw	2	M8 x 18
⑱	Screw	6	M8 x 20
⑲	Screw	4	M10 x 35
⑳	Screw	2	M10 x 30
㉑	Screw	2	M6 x 10
*⑪	Security Plate	1	CK22
*⑭	Coil Spring	1	TF25-100
*⑲	Screw	2	M10 x 35
*㉒	Guide Bush	1	CK45
*㉓	Coil Spring	1	TH35-60
*㉔	Screw	2	M12 x 35
*㉕	Spacing Washer	2	M12

# ASCB 0080 - ASFK 0080

Aerial cam for pierce



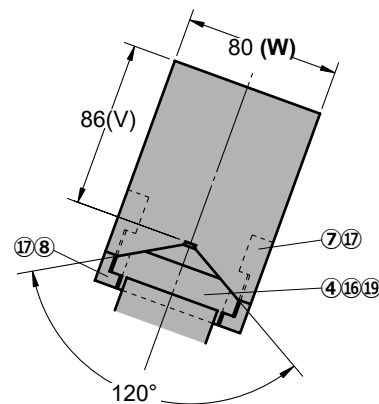
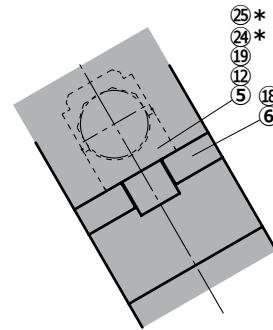
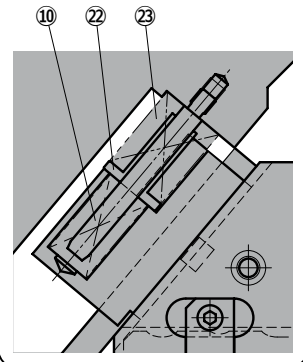
## ASCB 0080 20



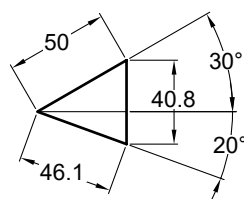
## ASFK 0080 20

SPRING SYSTEM

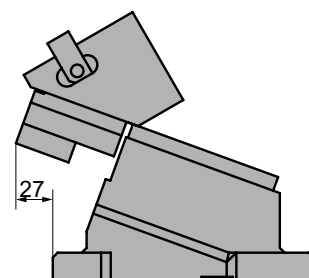
\*-Only for ASFK



### Cam diagram:



### Disassembling space:







# ASCB 0080 - ASFK 0080

Aerial cam for pierce

Stroke (mm)	Working force kN - (tons)		Spring Force N - (kgf)		Weight (Kg)	Model	W (mm)	$\alpha$ (mm)
	(1 Million Strokes)	(300.000 Strokes)	Initial F <sub>0</sub>	Final F <sub>1</sub>				
46.1	39.2 (4.0)	78.4 (8.0)	270.6 (27.6)	1623.6 (165.7)	25.3	ASCB	0080	20
	54.9 (5.6)	109.8 (11.2)	127.4 (13.0)	3250.0 (331.4)		ASFK		



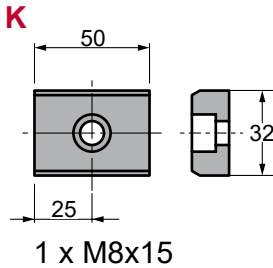
Order: Model (W) ( $\alpha$ )  
**ASCB 0080 20**

Standard order example according to catalog sheet. Add options applying options table contents.

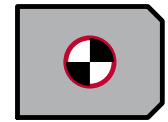
## OPTIONS

**K**

**KEY**



**P PINS**



**P16 - Ø16 H7**

## LM - WM MOUNT

**ASCB**

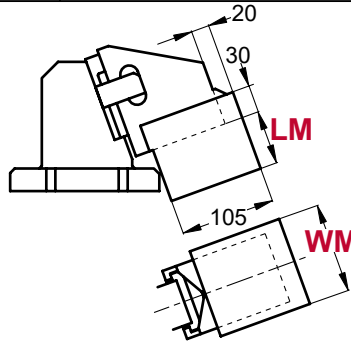
**LM** Extensible slider mount from 1 to 60 mm (increments of 1 mm). e.g. LM50

**WM** Mount width changed to 100 or 120mm. e.g. WM100

**ASFK**

**LM** Extensible slider mount from 1 to 60 mm (increments of 1 mm). f.e. LM50

**WM** Mount width changed from 81 to 120mm (increments of 1 mm). f.e. WM120



## Order Options: Model (W) ( $\alpha$ )-Option



**ASCB 0080 20-K**

**ASCB 0080 20-P16**

**ASCB 0080 20-WM100-LM50**

**ASCB 0080 20-P16-WM100-LM60-K**



## SPARE PARTS:

- ④ Slider guide
- ⑥ Slider Plate
- ⑭ Coil Spring
- ⑳ Coil Spring\*

## COMPONENTS

No.	Description	Qty.	Material
①	Cam Holder	1	GGG50
②	Cam Slider	1	GG25
③	Cam Driver	1	GG25
④	Slider guide	1	Bronze + G
⑤	Slider Guide Block	1	GGG50 + G
⑥	Slider Plate	2	Bronze + G
⑦	Positive Return A	1	CK45
⑧	Positive Return B	1	CK45
⑨	Stopper Plate	1	CK22
⑩	Spring guide	2	CK45
⑪	Security Plate	1	CK45
⑫	Slider Key	1	CK45
⑬	Cushioning Stopper	2	Urethane
⑭	Coil Spring	1	TL35-150

No.	Description	Qty.	Material
⑮	Disc Spring	2	M6
⑯	Dowel Pin	2	Ø8 x 30
⑰	Screw	2	M8 x 18
⑱	Screw	6	M8 x 20
⑲	Screw	4	M10 x 35
⑳	Screw	2	M10 x 30
㉑	Screw	2	M6 x 10
*⑪	Security Plate	1	CK22
*⑭	Coil Spring	1	TF25-100
*⑲	Screw	2	M10 x 35
*㉒	Guide Bush	1	CK45
*㉓	Coil Spring	1	TH35-60
*㉔	Screw	2	M12 x 35
*㉕	Spacing Washer	2	M12

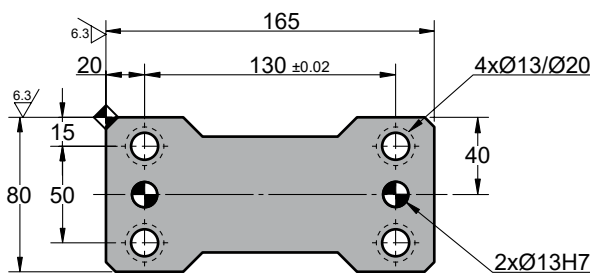
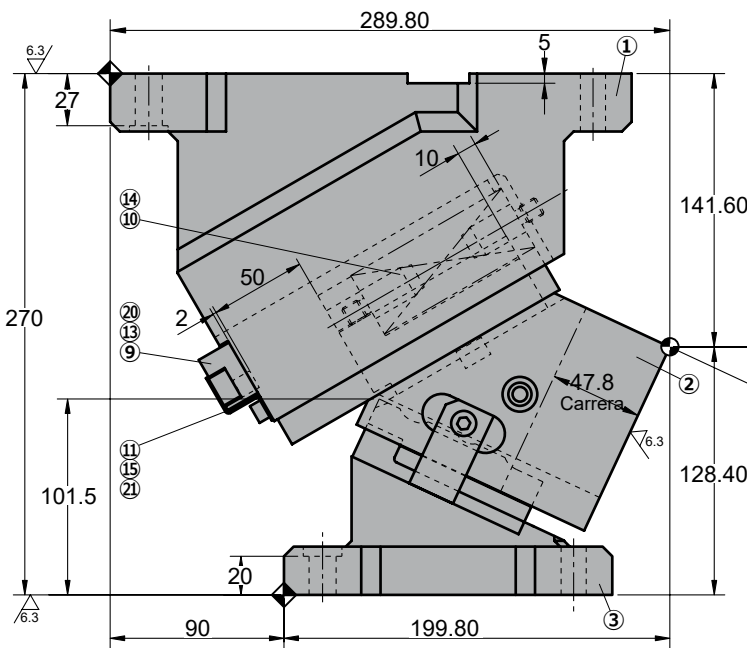
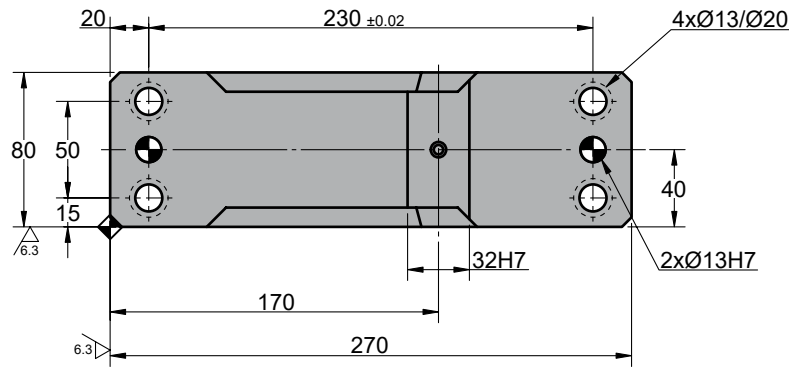


# ASCB 0080 - ASFK 0080

Aerial cam for pierce



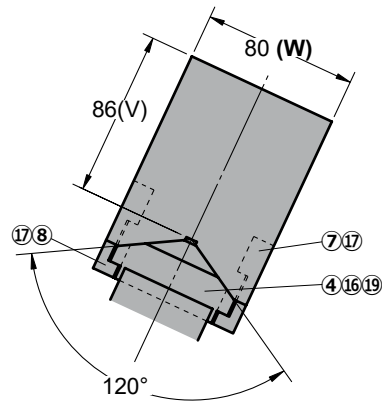
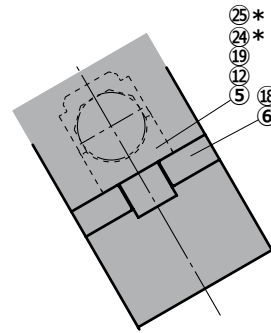
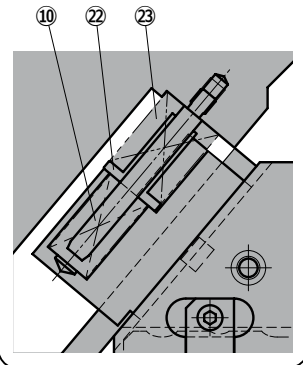
## ASCB 0080 25



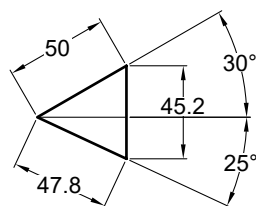
## ASFK 0080 25

SPRING SYSTEM

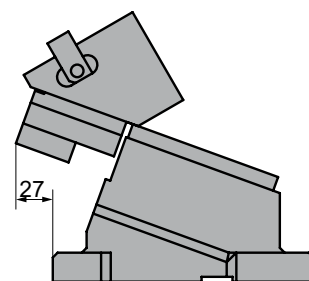
\*-Only for ASFK



### Cam diagram:



### Disassembling space:





# ASCB 0080 - ASFK 0080

Aerial cam for pierce

Stroke (mm)	Working force kN - (tons)		Spring Force N - (kgf)		Weight (Kg)	Model	W (mm)	$\alpha$ (mm)
	(1 Million Strokes)	(300.000 Strokes)	Initial F <sub>0</sub>	Final F <sub>1</sub>				
47.8	39.2 (4.0)	78.4 (8.0)	270.6 (27.6)	1623.6 (165.7)	25.3	ASCB	0080	25
	54.9 (5.6)	109.8 (11.2)	127.4 (13.0)	3250.0 (331.4)		ASFK		



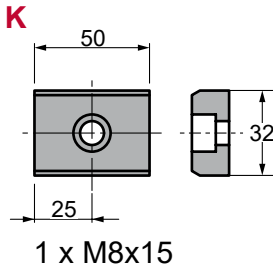
Order: Model (W) ( $\alpha$ )  
**ASCB 0080 25**

Standard order example according to catalog sheet. Add options applying options table contents.

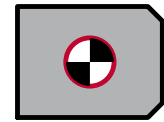
## OPTIONS

**K**

**KEY**



**P PINS**



**P16 - Ø16 H7**

## LM - WM MOUNT

**ASCB**

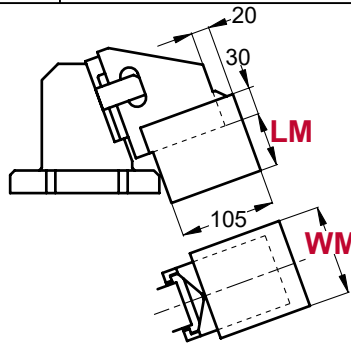
**LM** Extensible slider mount from 1 to 60 mm (increments of 1 mm). e.g. LM50

**WM** Mount width changed to 100 or 120mm. e.g. WM100

**ASFK**

**LM** Extensible slider mount from 1 to 60 mm (increments of 1 mm). f.e. LM50

**WM** Mount width changed from 81 to 120mm (increments of 1 mm). f.e. WM120



## Order Options: Model (W) ( $\alpha$ )-Option



**ASCB 0080 25-K**

**ASCB 0080 25-P16**

**ASCB 0080 25-WM100-LM50**

**ASCB 0080 25-P16-WM100-LM60-K**



## SPARE PARTS:

- ④ Slider guide
- ⑥ Slider Plate
- ⑭ Coil Spring
- ⑳ Coil Spring\*

## COMPONENTS

No.	Description	Qty.	Material
①	Cam Holder	1	GGG50
②	Cam Slider	1	GG25
③	Cam Driver	1	GG25
④	Slider guide	1	Bronze + G
⑤	Slider Guide Block	1	GGG50 + G
⑥	Slider Plate	2	Bronze + G
⑦	Positive Return A	1	CK45
⑧	Positive Return B	1	CK45
⑨	Stopper Plate	1	CK22
⑩	Spring guide	2	CK45
⑪	Security Plate	1	CK45
⑫	Slider Key	1	CK45
⑬	Cushioning Stopper	2	Urethane
⑭	Coil Spring	1	TL35-150

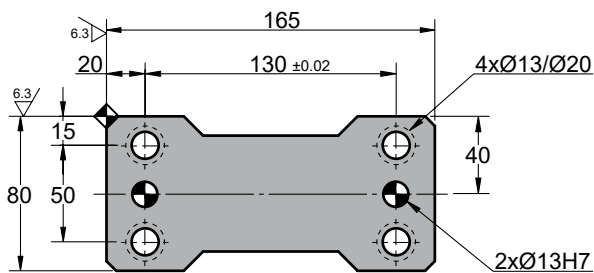
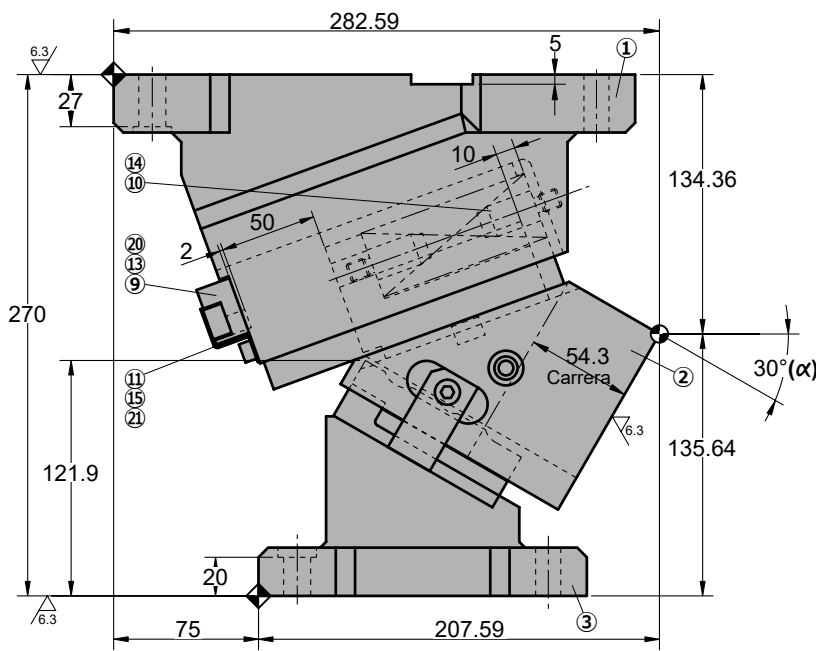
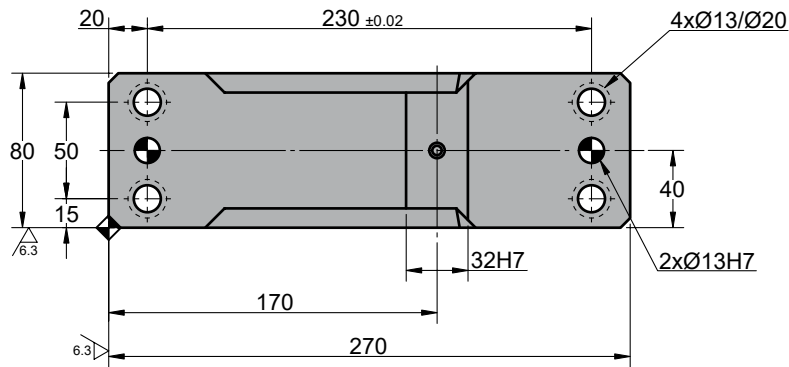
No.	Description	Qty.	Material
⑮	Disc Spring	2	M6
⑯	Dowel Pin	2	Ø8 x 30
⑰	Screw	2	M8 x 18
⑱	Screw	6	M8 x 20
⑲	Screw	4	M10 x 35
⑳	Screw	2	M10 x 30
㉑	Screw	2	M6 x 10
*⑪	Security Plate	1	CK22
*⑭	Coil Spring	1	TF25-100
*⑲	Screw	2	M10 x 35
*㉒	Guide Bush	1	CK45
*㉓	Coil Spring	1	TH35-60
*㉔	Screw	2	M12 x 35
*㉕	Spacing Washer	2	M12

# ASCB 0080 - ASFK 0080

Aerial cam for pierce



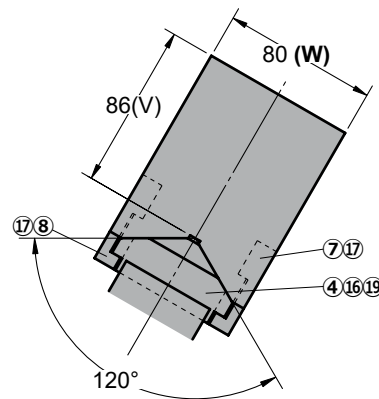
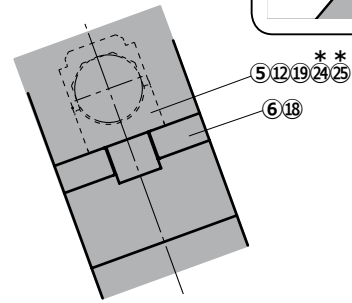
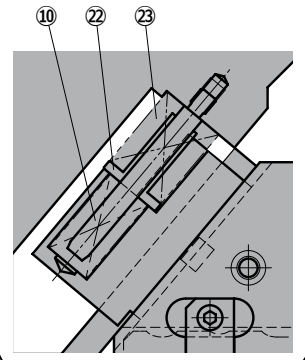
## ASCB 0080 30



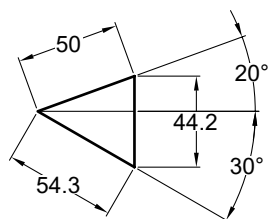
## ASFK 0080 30

SPRING SYSTEM

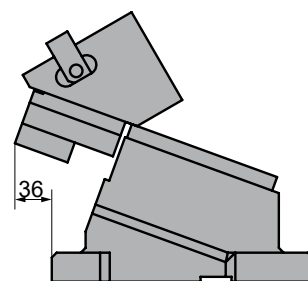
\*-Only for ASFK



### Cam diagram:



### Disassembling space:





# ASCB 0080 - ASFK 0080

Aerial cam for pierce

Stroke (mm)	Working force kN - (tons)		Spring Force N - (kgf)		Weight (Kg)	Model	W (mm)	$\alpha$ (mm)
	(1 Million Strokes)	(300.000 Strokes)	Initial F <sub>0</sub>	Final F <sub>1</sub>				
54.3	39.2 (4.0)	78.4 (8.0)	270.6 (27.6)	1623.6 (165.7)	23.2	ASCB	0080	30
	54.9 (5.6)	109.8 (11.2)	127.4 (13.0)	3250.0 (331.4)		ASFK		



Order: Model (W) ( $\alpha$ )

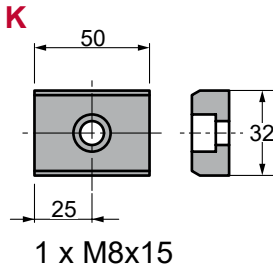
**ASCB 0080 30**

Standard order example according to catalog sheet. Add options applying options table contents.

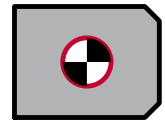
## OPTIONS

**K**

**KEY**



**P PINS**



**P16 - Ø16 H7**

## LM - WM MOUNT

**ASCB**

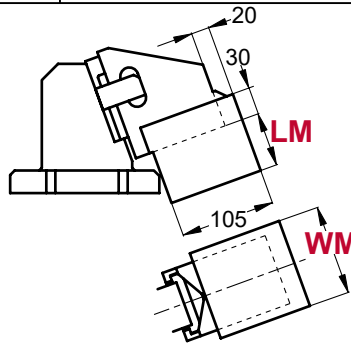
**LM** Extensible slider mount from 1 to 60 mm (increments of 1 mm). e.g. LM50

**WM** Mount width changed to 100 or 120mm. e.g. WM100

**ASFK**

**LM** Extensible slider mount from 1 to 60 mm (increments of 1 mm). f.e. LM50

**WM** Mount width changed from 81 to 120mm (increments of 1 mm). f.e. WM120



Order Options: Model (W) ( $\alpha$ )-Option



**ASCB 0080 30-K**

**ASCB 0080 30-P16**

**ASCB 0080 30-WM100-LM50**

**ASCB 0080 30-P16-WM100-LM60-K**



**SPARE PARTS:**

- ④ Slider guide
- ⑥ Slider Plate
- ⑭ Coil Spring
- ⑳ Coil Spring\*

## COMPONENTS

No.	Description	Qty.	Material
①	Cam Holder	1	GGG50
②	Cam Slider	1	GG25
③	Cam Driver	1	GG25
④	Slider guide	1	Bronze + G
⑤	Slider Guide Block	1	GGG50 + G
⑥	Slider Plate	2	Bronze + G
⑦	Positive Return A	1	CK45
⑧	Positive Return B	1	CK45
⑨	Stopper Plate	1	CK22
⑩	Spring guide	2	CK45
⑪	Security Plate	1	CK45
⑫	Slider Key	1	CK45
⑬	Cushioning Stopper	2	Urethane
⑭	Coil Spring	1	TL35-150

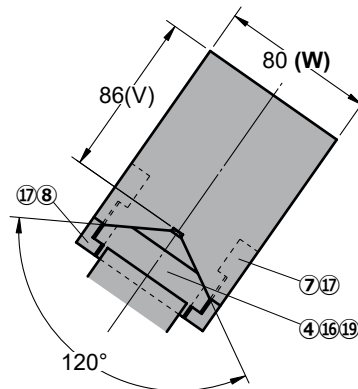
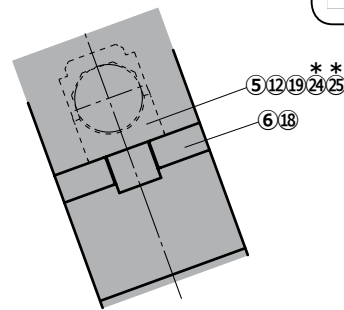
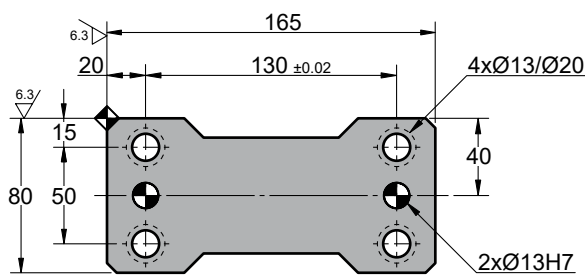
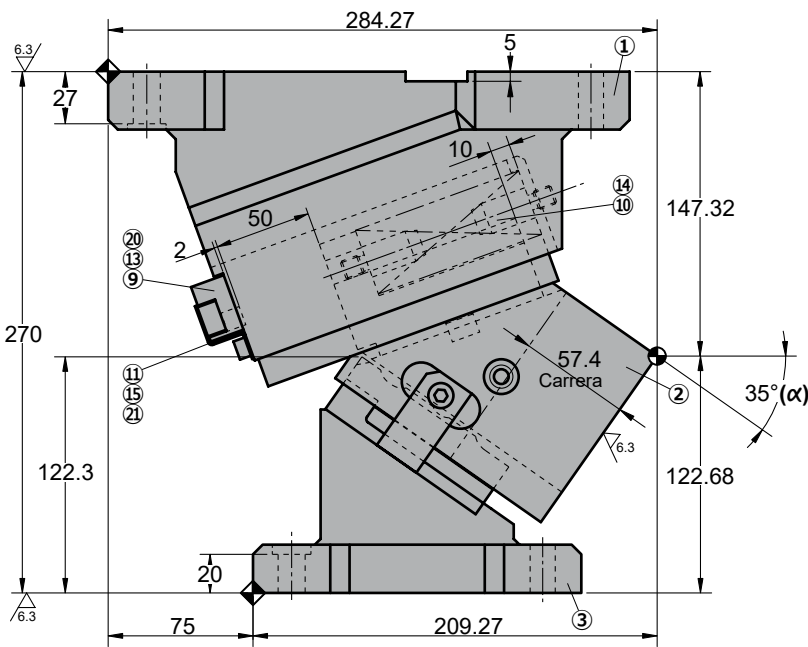
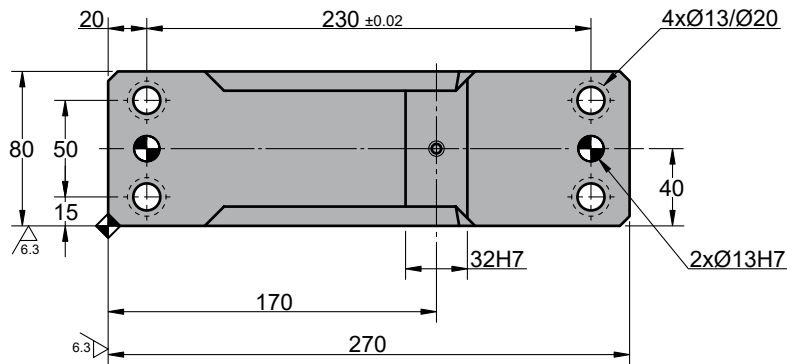
No.	Description	Qty.	Material
⑮	Disc Spring	2	M6
⑯	Dowel Pin	2	Ø8 x 30
⑰	Screw	2	M8 x 18
⑱	Screw	6	M8 x 20
⑲	Screw	4	M10 x 35
⑳	Screw	2	M10 x 30
㉑	Screw	2	M6 x 10
*⑪	Security Plate	1	CK22
*⑭	Coil Spring	1	TF25-100
*⑲	Screw	2	M10 x 35
*㉒	Guide Bush	1	CK45
*㉓	Coil Spring	1	TH35-60
*㉔	Screw	2	M12 x 35
*㉕	Spacing Washer	2	M12

# ASCB 0080 - ASFK 0080

Aerial cam for pierce



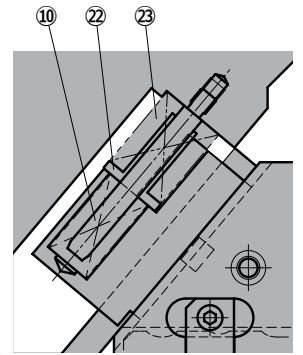
## ASCB 0080 35



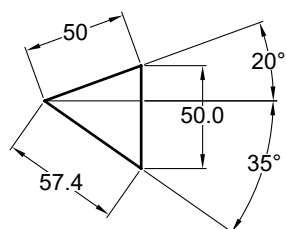
## ASFK 0080 35

SPRING SYSTEM

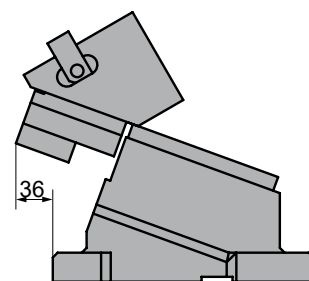
\*-Only for ASFK



### Cam diagram:



### Disassembling space:





# ASCB 0080 - ASFK 0080

Aerial cam for pierce

Stroke (mm)	Working force kN - (tons)		Spring Force N - (kgf)		Weight (Kg)	Model	W (mm)	$\alpha$ (mm)
	(1 Million Strokes)	(300.000 Strokes)	Initial F <sub>0</sub>	Final F <sub>1</sub>				
57.4	39.2 (4.0)	78.4 (8.0)	270.6 (27.6)	1623.6 (165.7)	23.4	ASCB	0080	35
	54.9 (5.6)	109.8 (11.2)	127.4 (13.0)	3250.0 (331.4)		ASFK		



Order: Model (W) ( $\alpha$ )

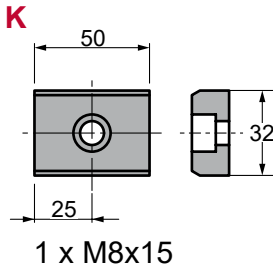
**ASCB 0080 35**

Standard order example according to catalog sheet. Add options applying options table contents.

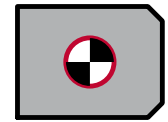
## OPTIONS

**K**

**KEY**



**P PINS**



**P16 - Ø16 H7**

## LM - WM MOUNT

**ASCB**

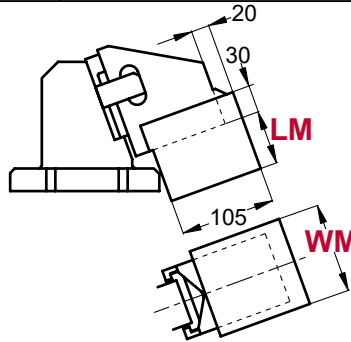
**LM** Extensible slider mount from 1 to 60 mm (increments of 1 mm). e.g. LM50

**WM** Mount width changed to 100 or 120mm. e.g. WM100

**ASFK**

**LM** Extensible slider mount from 1 to 60 mm (increments of 1 mm). f.e. LM50

**WM** Mount width changed from 81 to 120mm (increments of 1 mm). f.e. WM120



Order Options: Model (W) ( $\alpha$ )-Option

**ASCB 0080 35-K**

**ASCB 0080 35-P16**

**ASCB 0080 35-WM100-LM50**

**ASCB 0080 35-P16-WM100-LM60-K**



**SPARE PARTS:**

- ④ Slider guide
- ⑥ Slider Plate
- ⑭ Coil Spring
- ⑳ Coil Spring\*

## COMPONENTS

No.	Description	Qty.	Material
①	Cam Holder	1	GGG50
②	Cam Slider	1	GG25
③	Cam Driver	1	GG25
④	Slider guide	1	Bronze + G
⑤	Slider Guide Block	1	GGG50 + G
⑥	Slider Plate	2	Bronze + G
⑦	Positive Return A	1	CK45
⑧	Positive Return B	1	CK45
⑨	Stopper Plate	1	CK22
⑩	Spring guide	2	CK45
⑪	Security Plate	1	CK45
⑫	Slider Key	1	CK45
⑬	Cushioning Stopper	2	Urethane
⑭	Coil Spring	1	TL35-150

No.	Description	Qty.	Material
⑮	Disc Spring	2	M6
⑯	Dowel Pin	2	Ø8 x 30
⑰	Screw	2	M8 x 18
⑱	Screw	6	M8 x 20
⑲	Screw	4	M10 x 35
⑳	Screw	2	M10 x 30
㉑	Screw	2	M6 x 10
*⑪	Security Plate	1	CK22
*⑭	Coil Spring	1	TF25-100
*⑲	Screw	2	M10 x 35
*㉒	Guide Bush	1	CK45
*㉓	Coil Spring	1	TH35-60
*㉔	Screw	2	M12 x 35
*㉕	Spacing Washer	2	M12



# ASCB 0080 - ASFK 0080

Aerial cam for pierce

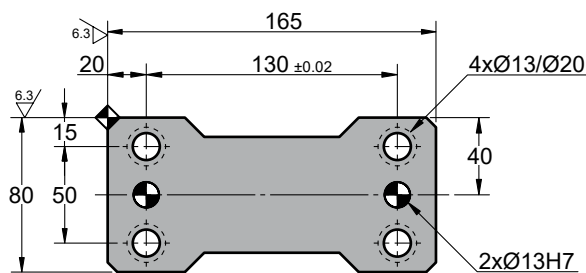
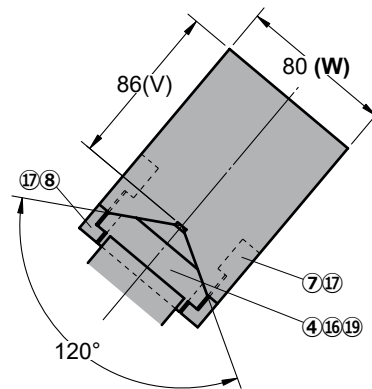
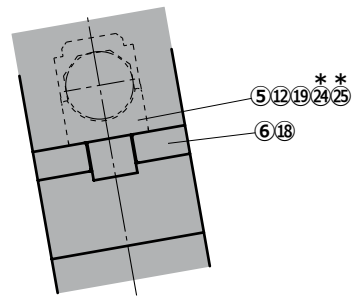
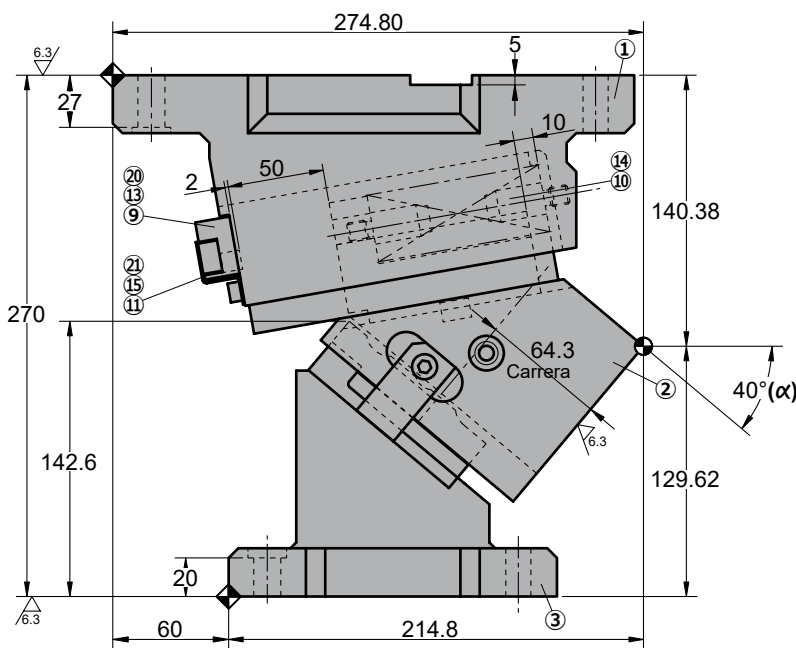
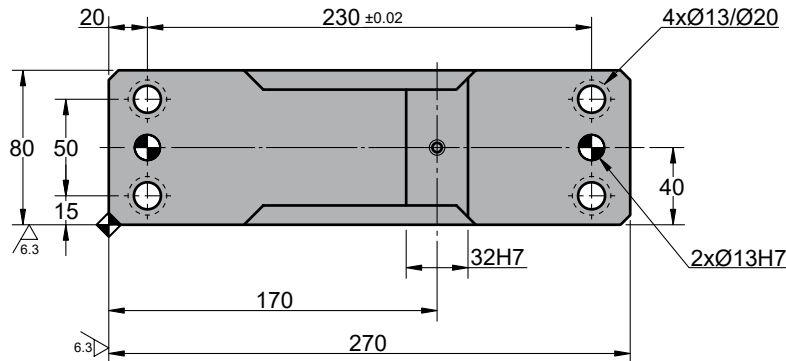
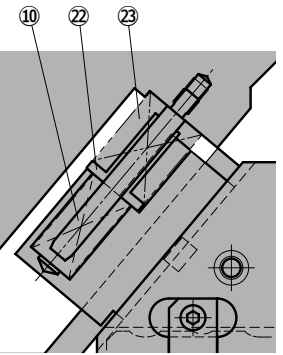


## ASCB 0080 40

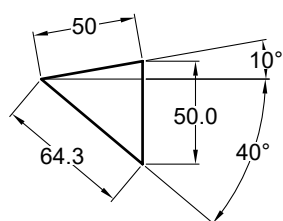
## ASFK 0080 40

SPRING SYSTEM

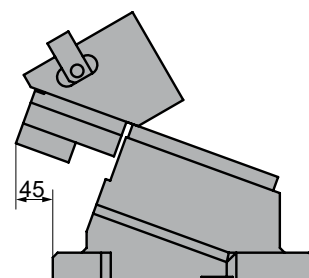
\*-Only for ASFK



### Cam diagram:



### Disassembling space:







# ASCB 0080 - ASFK 0080

Aerial cam for pierce

Stroke (mm)	Working force kN - (tons)		Spring Force N - (kgf)		Weight (Kg)	Model	W (mm)	$\alpha$ (mm)
	(1 Million Strokes)	(300.000 Strokes)	Initial F <sub>0</sub>	Final F <sub>1</sub>				
64.3	39.2 (4.0)	78.4 (8.0)	270.6 (27.6)	1623.6 (165.7)	22.4	ASCB	0080	40
	54.9 (5.6)	109.8 (11.2)	127.4 (13.0)	3250.0 (331.4)		ASFK		



Order: Model (W) ( $\alpha$ )

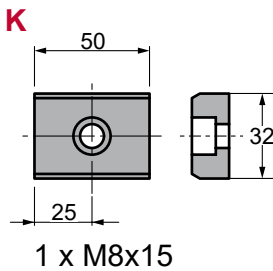
**ASCB 0080 40**

Standard order example according to catalog sheet. Add options applying options table contents.

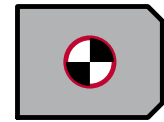
## OPTIONS

**K**

**KEY**



**P PINS**



**P16 - Ø16 H7**

## LM - WM MOUNT

**ASCB**

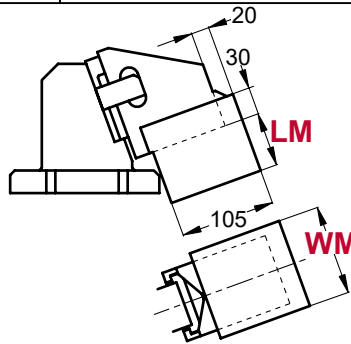
**LM** Extensible slider mount from 1 to 60 mm (increments of 1 mm). e.g. LM50

**WM** Mount width changed to 100 or 120mm. e.g. WM100

**ASFK**

**LM** Extensible slider mount from 1 to 60 mm (increments of 1 mm). f.e. LM50

**WM** Mount width changed from 81 to 120mm (increments of 1 mm). f.e. WM120



Order Options: Model (W) ( $\alpha$ )-Option



**ASCB 0080 40-K**

**ASCB 0080 40-P16**

**ASCB 0080 40-WM100-LM50**

**ASCB 0080 40-P16-WM100-LM60-K**



**SPARE PARTS:**

- ④ Slider guide
- ⑥ Slider Plate
- ⑭ Coil Spring
- ⑳ Coil Spring\*

## COMPONENTS

No.	Description	Qty.	Material
①	Cam Holder	1	GGG50
②	Cam Slider	1	GG25
③	Cam Driver	1	GG25
④	Slider guide	1	Bronze + G
⑤	Slider Guide Block	1	GGG50 + G
⑥	Slider Plate	2	Bronze + G
⑦	Positive Return A	1	CK45
⑧	Positive Return B	1	CK45
⑨	Stopper Plate	1	CK22
⑩	Spring guide	2	CK45
⑪	Security Plate	1	CK45
⑫	Slider Key	1	CK45
⑬	Cushioning Stopper	2	Urethane
⑭	Coil Spring	1	TL35-150

No.	Description	Qty.	Material
⑮	Disc Spring	2	M6
⑯	Dowel Pin	2	Ø8 x 30
⑰	Screw	2	M8 x 18
⑱	Screw	6	M8 x 20
⑲	Screw	4	M10 x 35
⑳	Screw	2	M10 x 30
㉑	Screw	2	M6 x 10
*⑪	Security Plate	1	CK22
*⑭	Coil Spring	1	TF25-100
*⑲	Screw	2	M10 x 35
*㉒	Guide Bush	1	CK45
*㉓	Coil Spring	1	TH35-60
*㉔	Screw	2	M12 x 35
*㉕	Spacing Washer	2	M12

# ASCB 0080 - ASFK 0080

Aerial cam for pierce

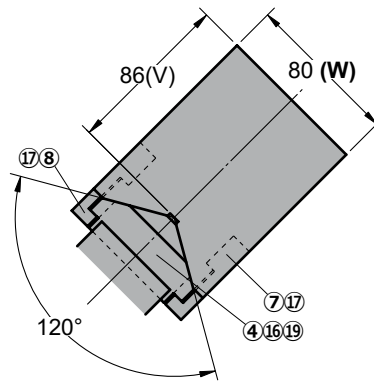
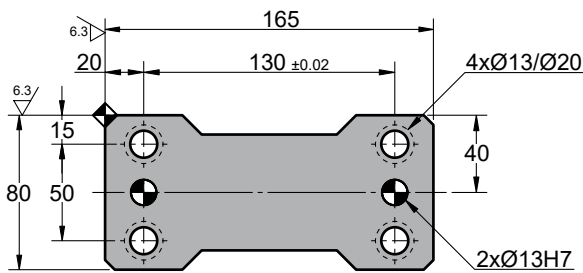
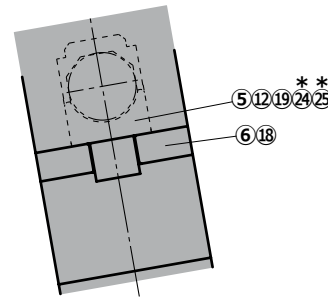
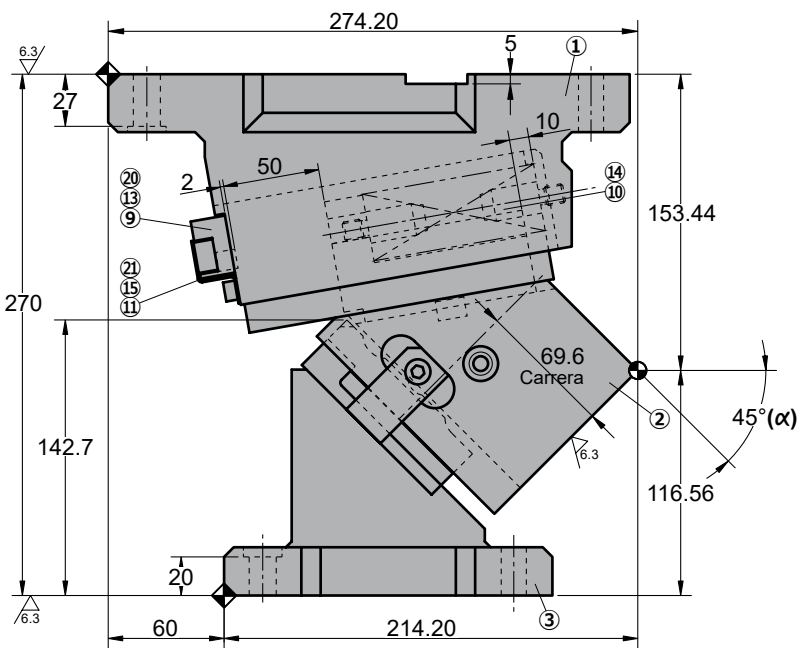
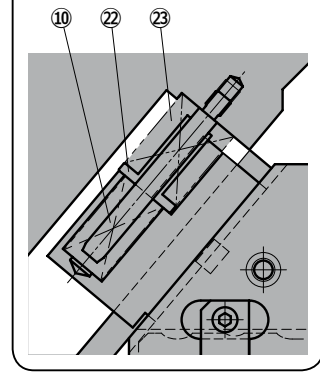
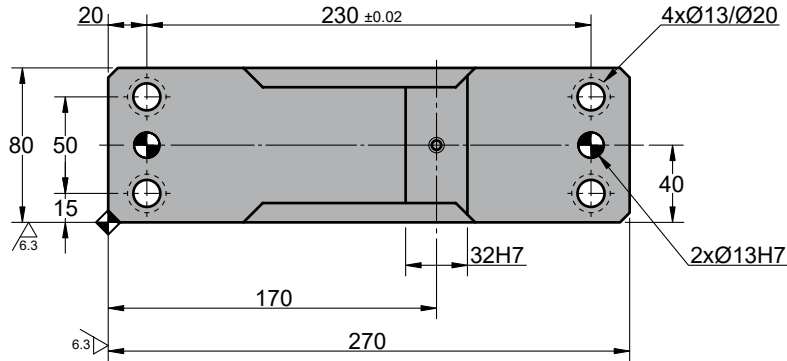


## ASCB 0080 45

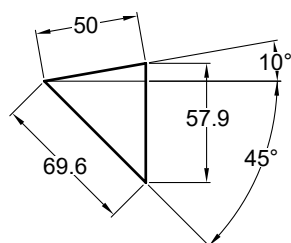
## ASFK 0080 45

SPRING SYSTEM

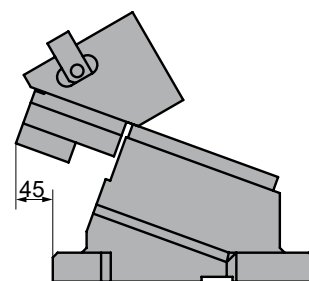
\*-Only for ASFK



### Cam diagram:



### Disassembling space:





# ASCB 0080 - ASFK 0080

Aerial cam for pierce

Stroke (mm)	Working force kN - (tons)		Spring Force N - (kgf)		Weight (Kg)	Model	W (mm)	$\alpha$ (mm)
	(1 Million Strokes)	(300.000 Strokes)	Initial F <sub>0</sub>	Final F <sub>1</sub>				
69.6	39.2 (4.0)	78.4 (8.0)	270.6 (27.6)	1623.6 (165.7)	22.4	ASCB	0080	45
	54.9 (5.6)	109.8 (11.2)	127.4 (13.0)	3250.0 (331.4)		ASFK		



Order: Model (W) ( $\alpha$ )

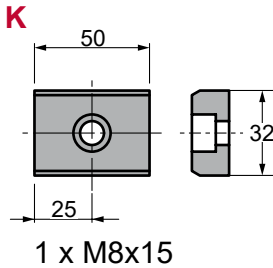
**ASCB 0080 45**

Standard order example according to catalog sheet. Add options applying options table contents.

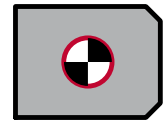
## OPTIONS

**K**

**KEY**



**P PINS**



**P16 - Ø16 H7**

## LM - WM MOUNT

**ASCB**

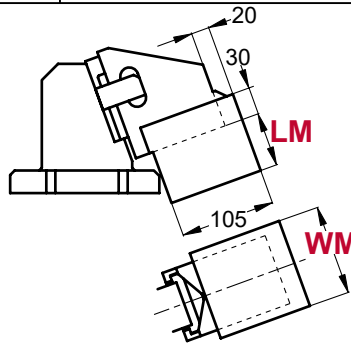
**LM** Extensible slider mount from 1 to 60 mm (increments of 1 mm). e.g. LM50

**WM** Mount width changed to 100 or 120mm. e.g. WM100

**ASFK**

**LM** Extensible slider mount from 1 to 60 mm (increments of 1 mm). f.e. LM50

**WM** Mount width changed from 81 to 120mm (increments of 1 mm). f.e. WM120



Order Options: Model (W) ( $\alpha$ )-Option

**ASCB 0080 45-K**

**ASCB 0080 45-P16**

**ASCB 0080 45-WM100-LM50**

**ASCB 0080 45-P16-WM100-LM60-K**



**SPARE PARTS:**

- ④ Slider guide
- ⑥ Slider Plate
- ⑭ Coil Spring
- ⑳ Coil Spring\*

## COMPONENTS

No.	Description	Qty.	Material
①	Cam Holder	1	GGG50
②	Cam Slider	1	GG25
③	Cam Driver	1	GG25
④	Slider guide	1	Bronze + G
⑤	Slider Guide Block	1	GGG50 + G
⑥	Slider Plate	2	Bronze + G
⑦	Positive Return A	1	CK45
⑧	Positive Return B	1	CK45
⑨	Stopper Plate	1	CK22
⑩	Spring guide	2	CK45
⑪	Security Plate	1	CK45
⑫	Slider Key	1	CK45
⑬	Cushioning Stopper	2	Urethane
⑭	Coil Spring	1	TL35-150

No.	Description	Qty.	Material
⑮	Disc Spring	2	M6
⑯	Dowel Pin	2	Ø8 x 30
⑰	Screw	2	M8 x 18
⑱	Screw	6	M8 x 20
⑲	Screw	4	M10 x 35
⑳	Screw	2	M10 x 30
㉑	Screw	2	M6 x 10
*⑪	Security Plate	1	CK22
*⑭	Coil Spring	1	TF25-100
*⑲	Screw	2	M10 x 35
*㉒	Guide Bush	1	CK45
*㉓	Coil Spring	1	TH35-60
*㉔	Screw	2	M12 x 35
*㉕	Spacing Washer	2	M12





# ASCB 0080 - ASFK 0080

Aerial cam for pierce

Stroke (mm)	Working force kN - (tons)		Spring Force N - (kgf)		Weight (Kg)	Model	W (mm)	$\alpha$ (mm)
	(1 Million Strokes)	(300.000 Strokes)	Initial F <sub>0</sub>	Final F <sub>1</sub>				
77.8	39.2 (4.0)	78.4 (8.0)	270.6 (27.6)	1623.6 (165.7)	21.6	ASCB	0080	50
	54.9 (5.6)	109.8 (11.2)	127.4 (13.0)	3250.0 (331.4)		ASFK		



Order: Model (W) ( $\alpha$ )

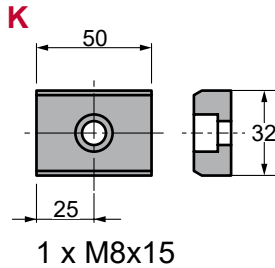
**ASCB 0080 50**

Standard order example according to catalog sheet. Add options applying options table contents.

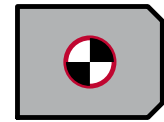
## OPTIONS

**K**

**KEY**



**P PINS**



**P16 - Ø16 H7**

## LM - WM MOUNT

**ASCB**

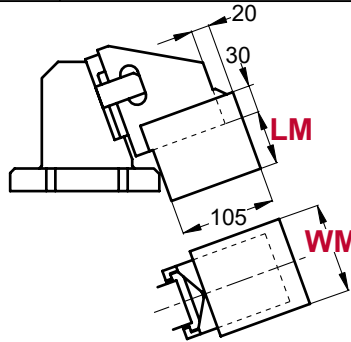
**LM** Extensible slider mount from 1 to 60 mm (increments of 1 mm). e.g. LM50

**WM** Mount width changed to 100 or 120mm. e.g. WM100

**ASFK**

**LM** Extensible slider mount from 1 to 60 mm (increments of 1 mm). f.e. LM50

**WM** Mount width changed from 81 to 120mm (increments of 1 mm). f.e. WM120



Order Options: Model (W) ( $\alpha$ )-Option

**ASCB 0080 50-K**

**ASCB 0080 50-P16**

**ASCB 0080 50-WM100-LM50**

**ASCB 0080 50-P16-WM100-LM60-K**



**SPARE PARTS:**

- ④ Slider guide
- ⑥ Slider Plate
- ⑭ Coil Spring
- ⑳ Coil Spring\*

## COMPONENTS

No.	Description	Qty.	Material
①	Cam Holder	1	GGG50
②	Cam Slider	1	GG25
③	Cam Driver	1	GG25
④	Slider guide	1	Bronze + G
⑤	Slider Guide Block	1	GGG50 + G
⑥	Slider Plate	2	Bronze + G
⑦	Positive Return A	1	CK45
⑧	Positive Return B	1	CK45
⑨	Stopper Plate	1	CK22
⑩	Spring guide	2	CK45
⑪	Security Plate	1	CK45
⑫	Slider Key	1	CK45
⑬	Cushioning Stopper	2	Urethane
⑭	Coil Spring	1	TL35-150

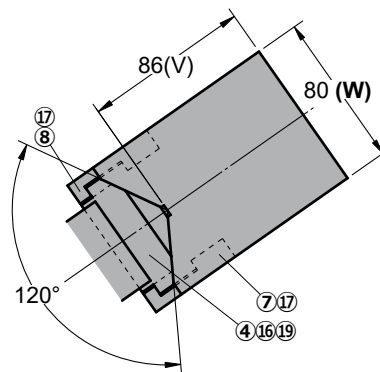
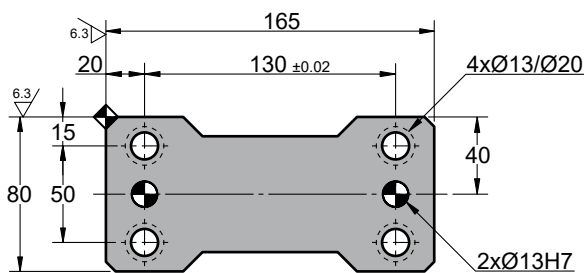
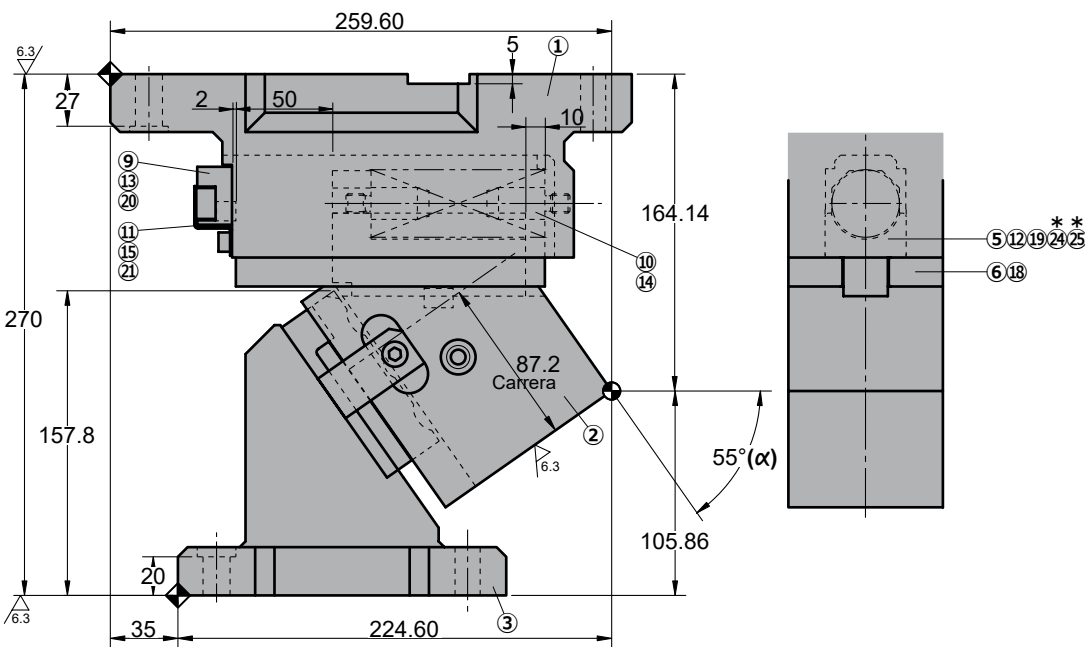
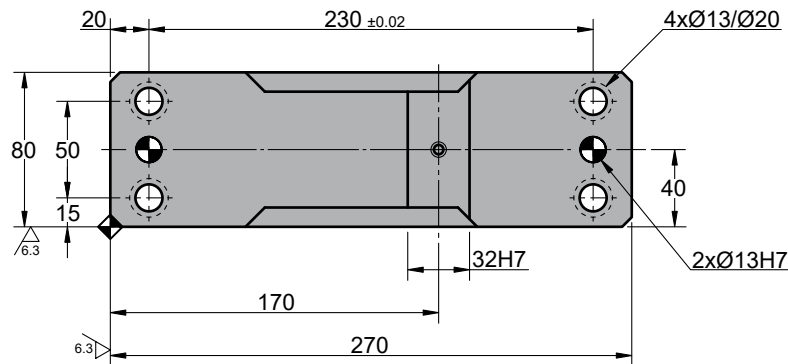
No.	Description	Qty.	Material
⑮	Disc Spring	2	M6
⑯	Dowel Pin	2	Ø8 x 30
⑰	Screw	2	M8 x 18
⑱	Screw	6	M8 x 20
⑲	Screw	4	M10 x 35
⑳	Screw	2	M10 x 30
㉑	Screw	2	M6 x 10
*⑪	Security Plate	1	CK22
*⑭	Coil Spring	1	TF25-100
*⑲	Screw	2	M10 x 35
*㉒	Guide Bush	1	CK45
*㉓	Coil Spring	1	TH35-60
*㉔	Screw	2	M12 x 35
*㉕	Spacing Washer	2	M12

# ASCB 0080 - ASFK 0080

Aerial cam for pierce



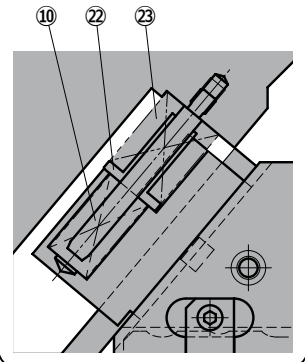
## ASCB 0080 55



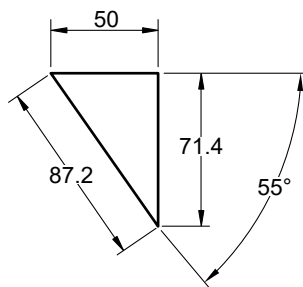
## ASFK 0080 55

SPRING SYSTEM

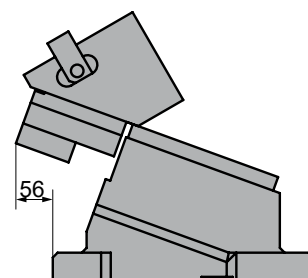
\*-Only for ASFK



### Cam diagram:



### Disassembling space:







# ASCB 0080 - ASFK 0080

Aerial cam for pierce

Stroke (mm)	Working force kN - (tons)		Spring Force N - (kgf)		Weight (Kg)	Model	W (mm)	$\alpha$ (mm)
	(1 Million Strokes)	(300.000 Strokes)	Initial F <sub>0</sub>	Final F <sub>1</sub>				
87.2	39.2 (4.0)	78.4 (8.0)	270.6 (27.6)	1623.6 (165.7)	21.7	ASCB	0080	55
	54.9 (5.6)	109.8 (11.2)	127.4 (13.0)	3250.0 (331.4)		ASFK		



Order: Model (W) ( $\alpha$ )

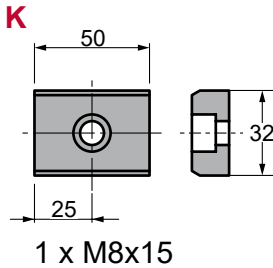
**ASCB 0080 55**

Standard order example according to catalog sheet. Add options applying options table contents.

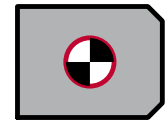
## OPTIONS

**K**

**KEY**



**P PINS**



**P16 - Ø16 H7**

## LM - WM MOUNT

**ASCB**

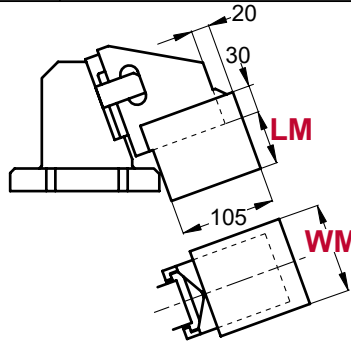
**LM** Extensible slider mount from 1 to 60 mm (increments of 1 mm). e.g. LM50

**WM** Mount width changed to 100 or 120mm. e.g. WM100

**ASFK**

**LM** Extensible slider mount from 1 to 60 mm (increments of 1 mm). f.e. LM50

**WM** Mount width changed from 81 to 120mm (increments of 1 mm). f.e. WM120



Order Options: Model (W) ( $\alpha$ )-Option



**ASCB 0080 55-K**

**ASCB 0080 55-P16**

**ASCB 0080 55-WM100-LM50**

**ASCB 0080 55-P16-WM100-LM60-K**



**SPARE PARTS:**

- ④ Slider guide
- ⑥ Slider Plate
- ⑭ Coil Spring
- ⑳ Coil Spring\*

## COMPONENTS

No.	Description	Qty.	Material
①	Cam Holder	1	GGG50
②	Cam Slider	1	GG25
③	Cam Driver	1	GG25
④	Slider guide	1	Bronze + G
⑤	Slider Guide Block	1	GGG50 + G
⑥	Slider Plate	2	Bronze + G
⑦	Positive Return A	1	CK45
⑧	Positive Return B	1	CK45
⑨	Stopper Plate	1	CK22
⑩	Spring guide	2	CK45
⑪	Security Plate	1	CK45
⑫	Slider Key	1	CK45
⑬	Cushioning Stopper	2	Urethane
⑭	Coil Spring	1	TL35-150

No.	Description	Qty.	Material
⑮	Disc Spring	2	M6
⑯	Dowel Pin	2	Ø8 x 30
⑰	Screw	2	M8 x 18
⑱	Screw	6	M8 x 20
⑲	Screw	4	M10 x 35
⑳	Screw	2	M10 x 30
㉑	Screw	2	M6 x 10
*⑪	Security Plate	1	CK22
*⑭	Coil Spring	1	TF25-100
*⑲	Screw	2	M10 x 35
*㉒	Guide Bush	1	CK45
*㉓	Coil Spring	1	TH35-60
*㉔	Screw	2	M12 x 35
*㉕	Spacing Washer	2	M12



# ASCB 0080 - ASFK 0080

Aerial cam for pierce

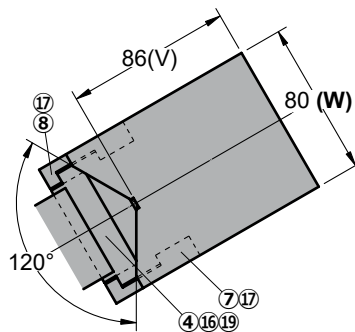
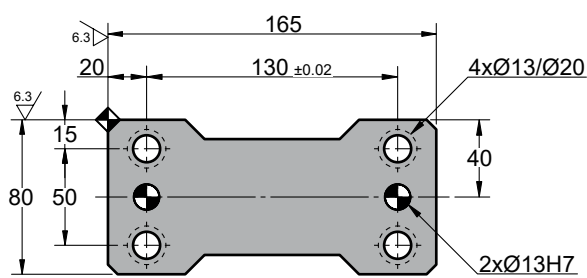
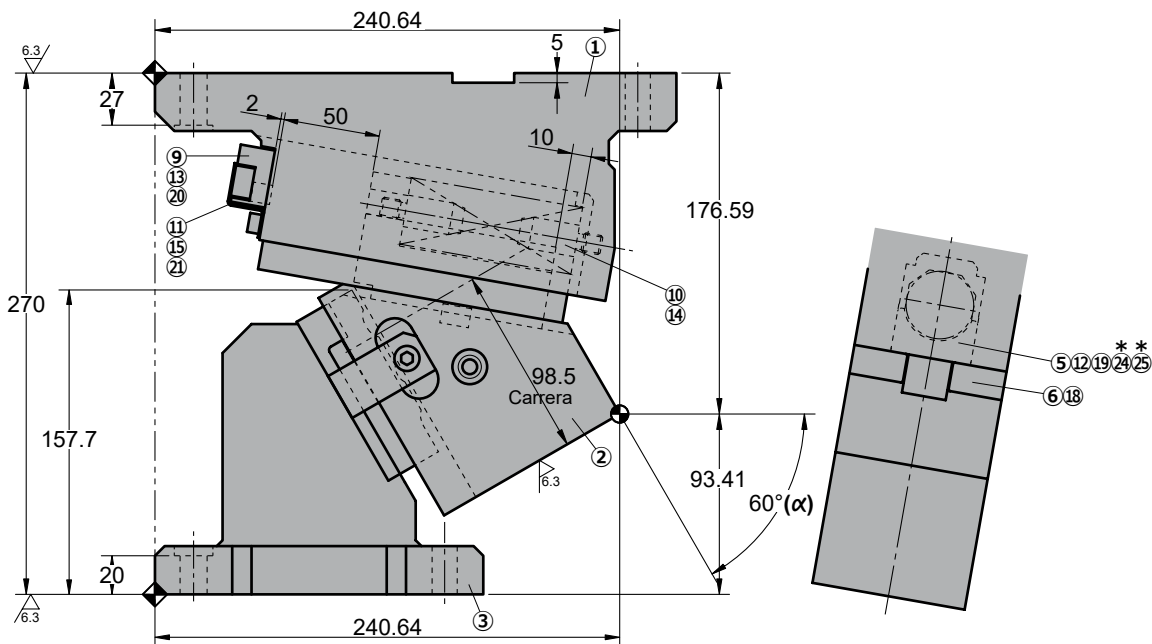
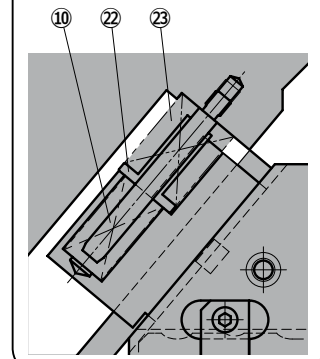
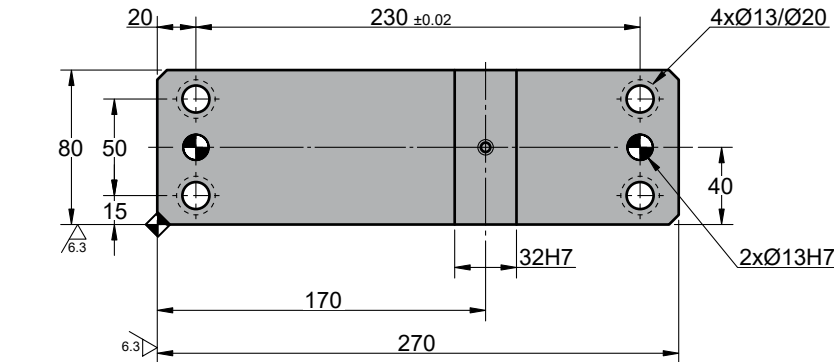


## ASCB 0080 60

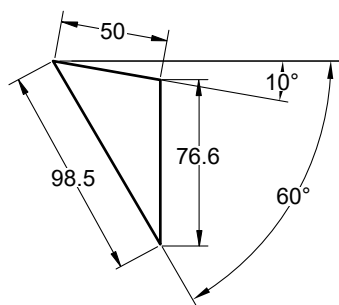
## ASFK 0080 60

SPRING SYSTEM

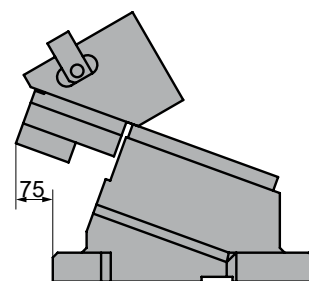
\*-Only for ASFK



◦Cam diagram:



◦Disassembling space:





# ASCB 0080 - ASFK 0080

Aerial cam for pierce

Stroke (mm)	Working force kN - (tons)		Spring Force N - (kgf)		Weight (Kg)	Model	W (mm)	$\alpha$ (mm)
	(1 Million Strokes)	(300.000 Strokes)	Initial F <sub>0</sub>	Final F <sub>1</sub>				
98.5	39.2 (4.0)	78.4 (8.0)	270.6 (27.6)	1623.6 (165.7)	23.2	ASCB	0080	60
	54.9 (5.6)	109.8 (11.2)	127.4 (13.0)	3250.0 (331.4)		ASFK		



Order: Model (W) ( $\alpha$ )

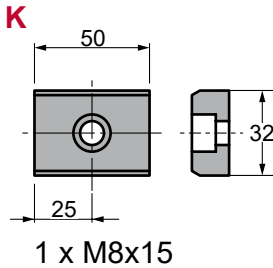
**ASCB 0080 60**

Standard order example according to catalog sheet. Add options applying options table contents.

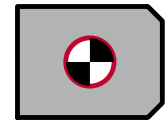
## OPTIONS

**K**

**KEY**



**P PINS**



**P16 - Ø16 H7**

## LM - WM MOUNT

**ASCB**

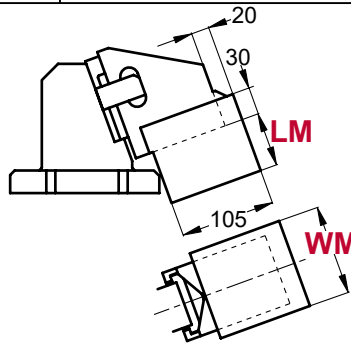
**LM** Extensible slider mount from 1 to 60 mm (increments of 1 mm). e.g. LM50

**WM** Mount width changed to 100 or 120mm. e.g. WM100

**ASFK**

**LM** Extensible slider mount from 1 to 60 mm (increments of 1 mm). f.e. LM50

**WM** Mount width changed from 81 to 120mm (increments of 1 mm). f.e. WM120



Order Options: Model (W) ( $\alpha$ )-Option

**ASCB 0080 60-K**

**ASCB 0080 60-P16**

**ASCB 0080 60-WM100-LM50**

**ASCB 0080 60-P16-WM100-LM60-K**



**SPARE PARTS:**

- ④ Slider guide
- ⑥ Slider Plate
- ⑭ Coil Spring
- ⑳ Coil Spring\*

## COMPONENTS

No.	Description	Qty.	Material
①	Cam Holder	1	GGG50
②	Cam Slider	1	GG25
③	Cam Driver	1	GG25
④	Slider guide	1	Bronze + G
⑤	Slider Guide Block	1	GGG50 + G
⑥	Slider Plate	2	Bronze + G
⑦	Positive Return A	1	CK45
⑧	Positive Return B	1	CK45
⑨	Stopper Plate	1	CK22
⑩	Spring guide	2	CK45
⑪	Security Plate	1	CK45
⑫	Slider Key	1	CK45
⑬	Cushioning Stopper	2	Urethane
⑭	Coil Spring	1	TL35-150

No.	Description	Qty.	Material
⑮	Disc Spring	2	M6
⑯	Dowel Pin	2	Ø8 x 30
⑰	Screw	2	M8 x 18
⑱	Screw	6	M8 x 20
⑲	Screw	4	M10 x 35
⑳	Screw	2	M10 x 30
㉑	Screw	2	M6 x 10
*⑪	Security Plate	1	CK22
*⑭	Coil Spring	1	TF25-100
*⑲	Screw	2	M10 x 35
*㉒	Guide Bush	1	CK45
*㉓	Coil Spring	1	TH35-60
*㉔	Screw	2	M12 x 35
*㉕	Spacing Washer	2	M12

# ASCB 0080 - ASFK 0080

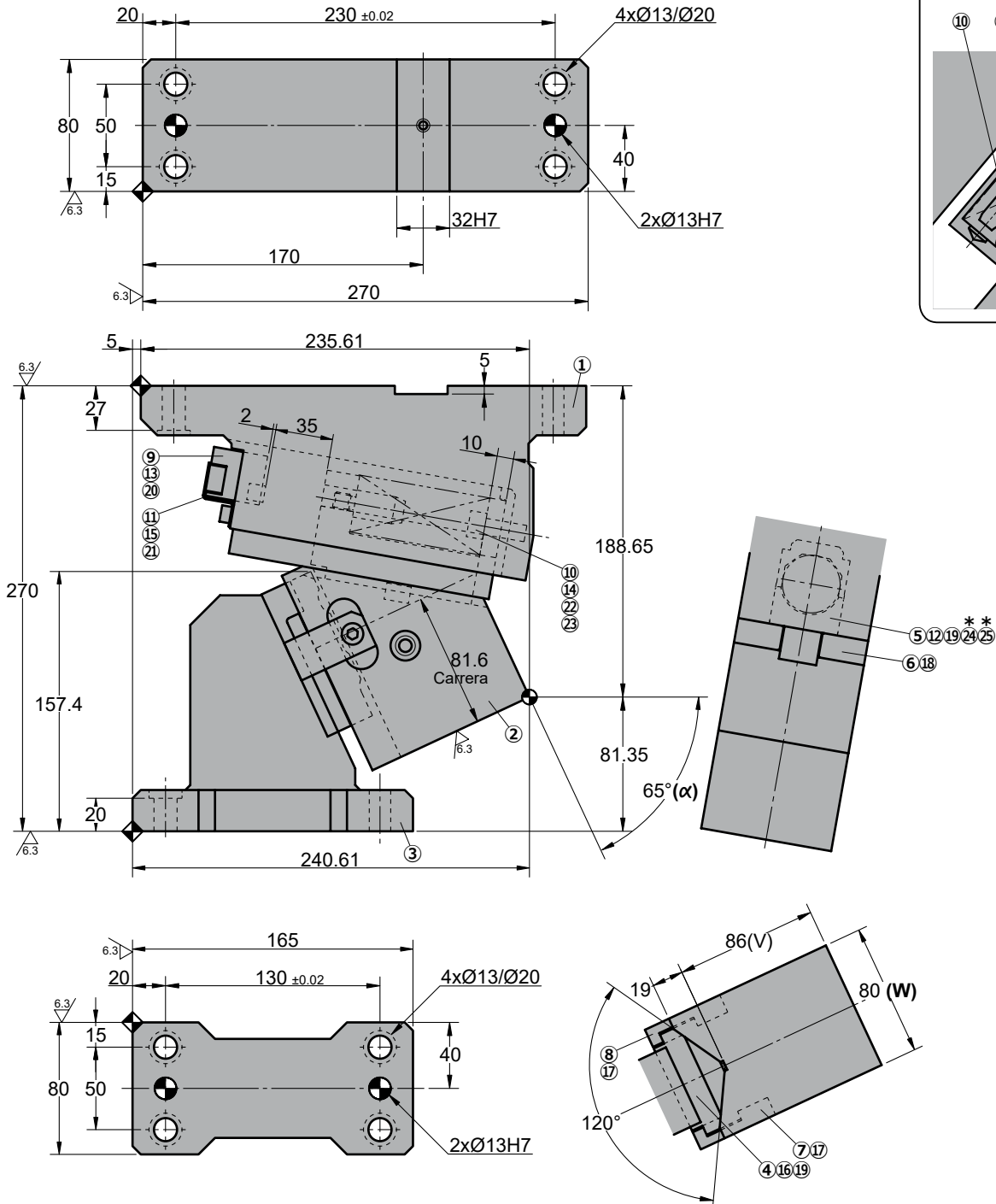
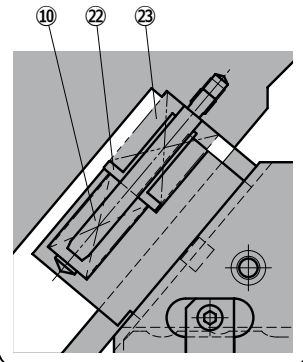
Aerial cam for pierce



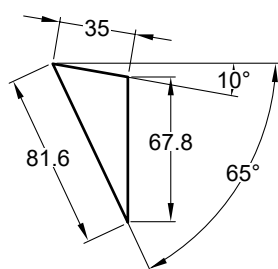
## ASCB 0080 65

## ASFK 0080 65 SPRING SYSTEM

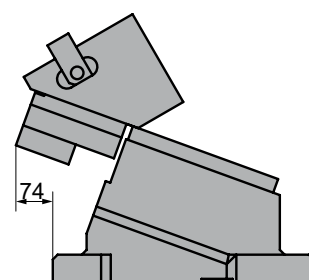
\*-Only for ASFK



### Cam diagram:



### Disassembling space:





# ASCB 0080 - ASFK 0080

Aerial cam for pierce

Stroke (mm)	Working force kN - (tons)		Spring Force N - (kgf)		Weight (Kg)	Model	W (mm)	$\alpha$ (mm)
	(1 Million Strokes)	(300.000 Strokes)	Initial F <sub>0</sub>	Final F <sub>1</sub>				
81.6	39.2 (4.0)	78.4 (8.0)	324.7 (33.1)	1461.2 (149.1)	23.7	ASCB	0080	65
	54.9 (5.6)	109.8 (11.2)	98.0 (10.0)	3250.0 (331.4)		ASFK		



Order: Model (W) ( $\alpha$ )

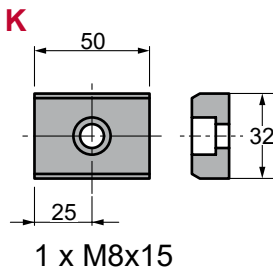
**ASCB 0080 65**

Standard order example according to catalog sheet. Add options applying options table contents.

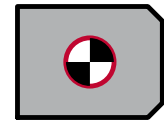
## OPTIONS

**K**

**KEY**



**P PINS**



**P16 - Ø16 H7**

## LM - WM MOUNT

**ASCB**

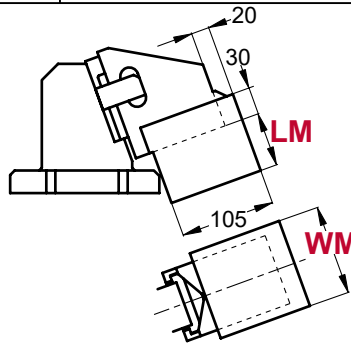
**LM** Extensible slider mount from 1 to 60 mm (increments of 1 mm). e.g. LM50

**WM** Mount width changed to 100 or 120mm. e.g. WM100

**ASFK**

**LM** Extensible slider mount from 1 to 60 mm (increments of 1 mm). f.e. LM50

**WM** Mount width changed from 81 to 120mm (increments of 1 mm). f.e. WM120



Order Options: Model (W) ( $\alpha$ )-Option

**ASCB 0080 65-K**

**ASCB 0080 65-P16**

**ASCB 0080 65-WM100-LM50**

**ASCB 0080 65-P16-WM100-LM60-K**



**SPARE PARTS:**

- ④ Slider guide
- ⑥ Slider Plate
- ⑭ Coil Spring
- ⑳ Coil Spring\*

## COMPONENTS

No.	Description	Qty.	Material
①	Cam Holder	1	GGG50
②	Cam Slider	1	GG25
③	Cam Driver	1	GG25
④	Slider guide	1	Bronze + G
⑤	Slider Guide Block	1	GGG50 + G
⑥	Slider Plate	2	Bronze + G
⑦	Positive Return A	1	CK45
⑧	Positive Return B	1	CK45
⑨	Stopper Plate	1	CK22
⑩	Spring guide	2	CK45
⑪	Security Plate	1	CK45
⑫	Slider Key	1	CK45
⑬	Cushioning Stopper	2	Urethane
⑭	Coil Spring	1	TL35-125
⑮	Disc Spring	2	M6

No.	Description	Qty.	Material
⑯	Dowel Pin	2	Ø8 x 30
⑰	Screw	2	M8 x 18
⑱	Screw	6	M8 x 20
⑲	Screw	4	M10 x 35
⑳	Screw	2	M10 x 30
㉑	Screw	2	M6 x 10
㉒	Spacer	1	CK 45
㉓	Screw	1	M10 x 25
*⑪	Security Plate	1	CK22
*⑭	Coil Spring	1	TF25-80
*⑲	Screw	2	M10 x 35
*⑳	Guide Bush	1	CK45
*㉒	Coil Spring	1	TH35-60
*㉔	Screw	2	M12 x 35
*㉕	Spacing Washer	2	M12

# ASCB 0080 - ASFK 0080

Aerial cam for pierce

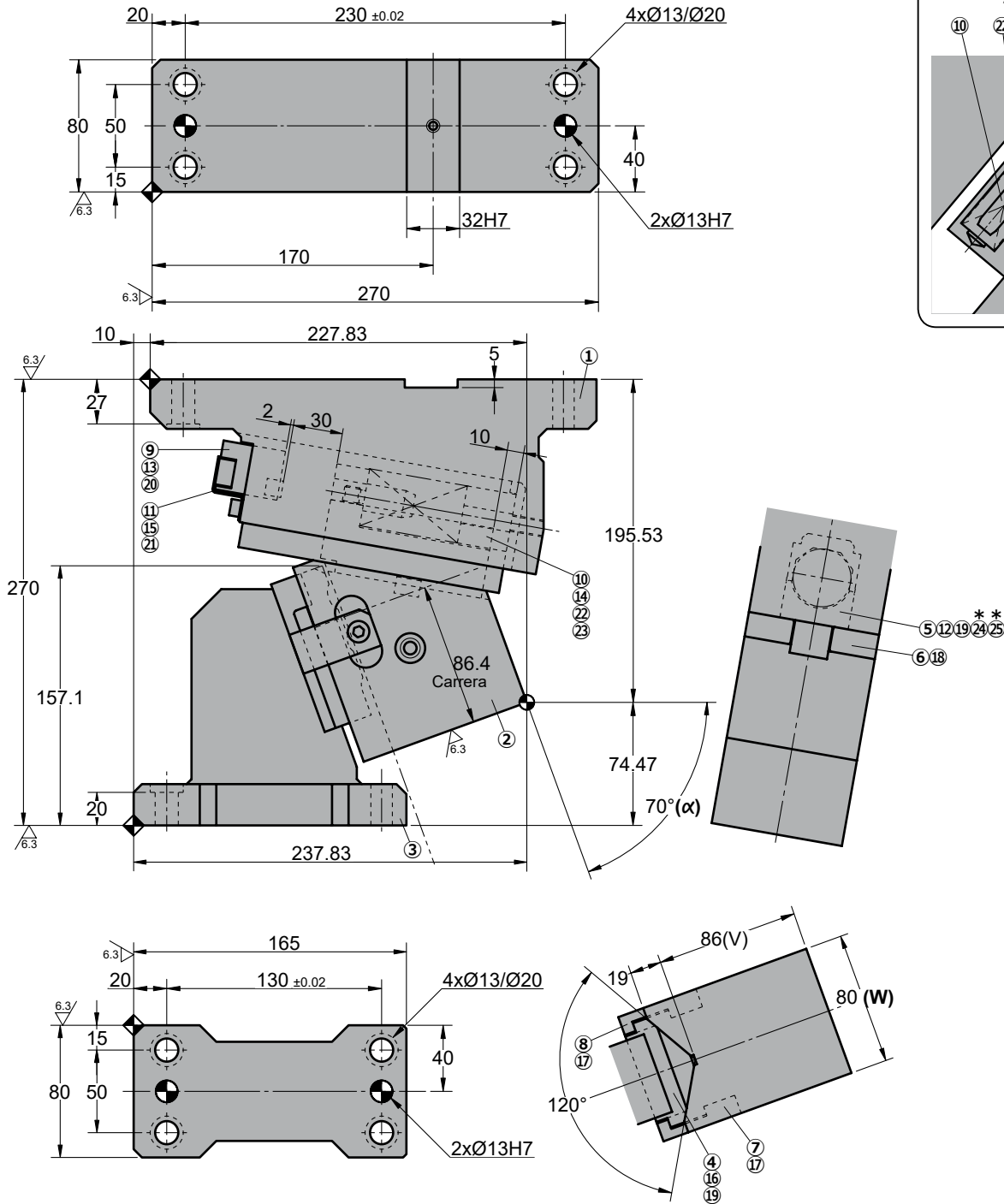


## ASCB 0080 70

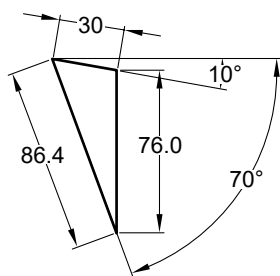
## ASFK 0080 70

SPRING SYSTEM

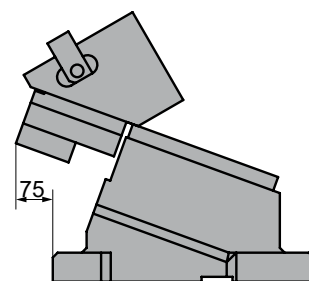
\*-Only for ASFK



### Cam diagram:



### Disassembling space:





# ASCB 0080 - ASFK 0080

Aerial cam for pierce

Stroke (mm)	Working force kN - (tons)		Spring Force N - (kgf)		Weight (Kg)	Model	W (mm)	$\alpha$ (mm)
	(1 Million Strokes)	(300.000 Strokes)	Initial F <sub>0</sub>	Final F <sub>1</sub>				
86.4	39.2 (4.0)	78.4 (8.0)	405.8 (41.4)	1623.2 (165.6)	23.9	ASCB	0080	70
	54.9 (5.6)	109.8 (11.2)	159.3 (16.3)	3250.0 (331.4)		ASFK		



Order: Model (W) ( $\alpha$ )

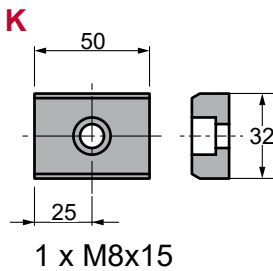
**ASCB 0080 70**

Standard order example according to catalog sheet. Add options applying options table contents.

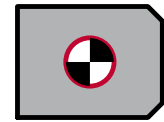
## OPTIONS

**K**

**KEY**



**P PINS**



**P16 - Ø16 H7**

## LM - WM MOUNT

**ASCB**

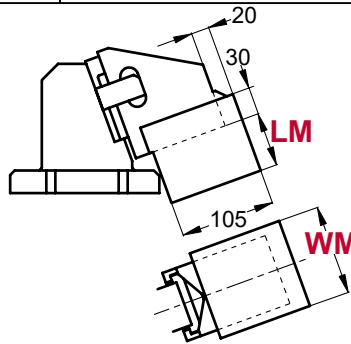
**LM** Extensible slider mount from 1 to 60 mm (increments of 1 mm). e.g. LM50

**WM** Mount width changed to 100 or 120mm. e.g. WM100

**ASFK**

**LM** Extensible slider mount from 1 to 60 mm (increments of 1 mm). f.e. LM50

**WM** Mount width changed from 81 to 120mm (increments of 1 mm). f.e. WM120



Order Options: Model (W) ( $\alpha$ )-Option

**ASCB 0080 70-K**

**ASCB 0080 70-P16**

**ASCB 0080 70-WM100-LM50**

**ASCB 0080 70-P16-WM100-LM60-K**



**SPARE PARTS:**

- ④ Slider guide
- ⑥ Slider Plate
- ⑭ Coil Spring
- ⑳ Coil Spring\*

## COMPONENTS

No.	Description	Qty.	Material
①	Cam Holder	1	GGG50
②	Cam Slider	1	GG25
③	Cam Driver	1	GG25
④	Slider guide	1	Bronze + G
⑤	Slider Guide Block	1	GGG50 + G
⑥	Slider Plate	2	Bronze + G
⑦	Positive Return A	1	CK45
⑧	Positive Return B	1	CK45
⑨	Stopper Plate	1	CK22
⑩	Spring guide	2	CK45
⑪	Security Plate	1	CK45
⑫	Slider Key	1	CK45
⑬	Cushioning Stopper	2	Urethane
⑭	Coil Spring	1	TL35-100
⑮	Disc Spring	2	M6

No.	Description	Qty.	Material
⑯	Dowel Pin	2	Ø8 x 30
⑰	Screw	2	M8 x 18
⑱	Screw	6	M8 x 20
⑲	Screw	4	M10 x 35
⑳	Screw	2	M10 x 30
㉑	Screw	2	M6 x 10
㉒	Spacer	1	CK 45
㉓	Screw	1	M10 x 25
*⑪	Security Plate	1	CK22
*⑭	Coil Spring	1	TF25-80
*⑲	Screw	2	M10 x 35
*⑳	Guide Bush	1	CK45
*㉒	Coil Spring	1	TH35-60
*㉔	Screw	2	M12 x 35
*㉕	Spacing Washer	2	M12

# ASCB 0080 - ASFK 0080



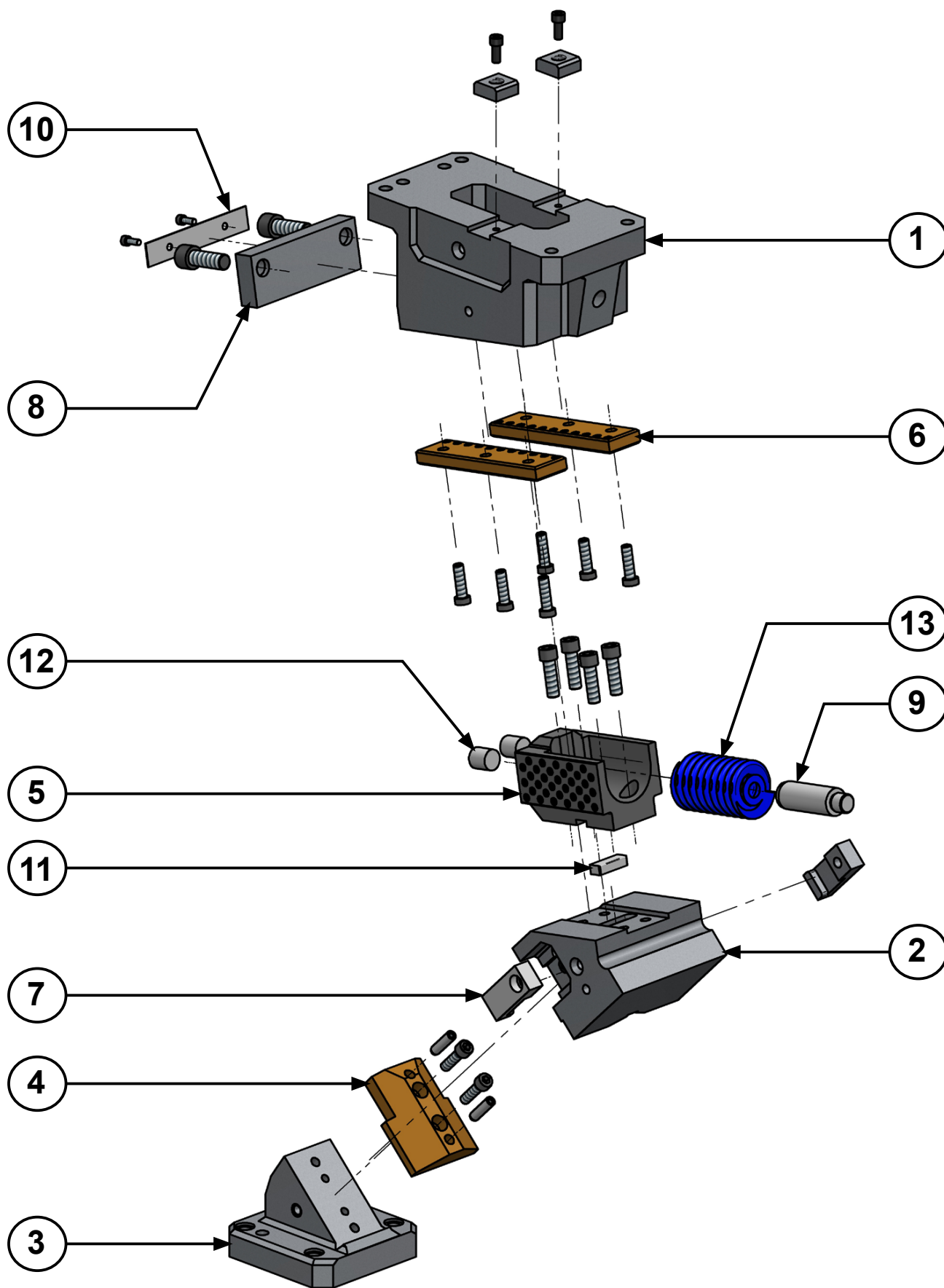
*Aerial cam for pierce*





# ASCB 0150

Aerial cam for pierce



# ASCB 0150 - ASFK 0150

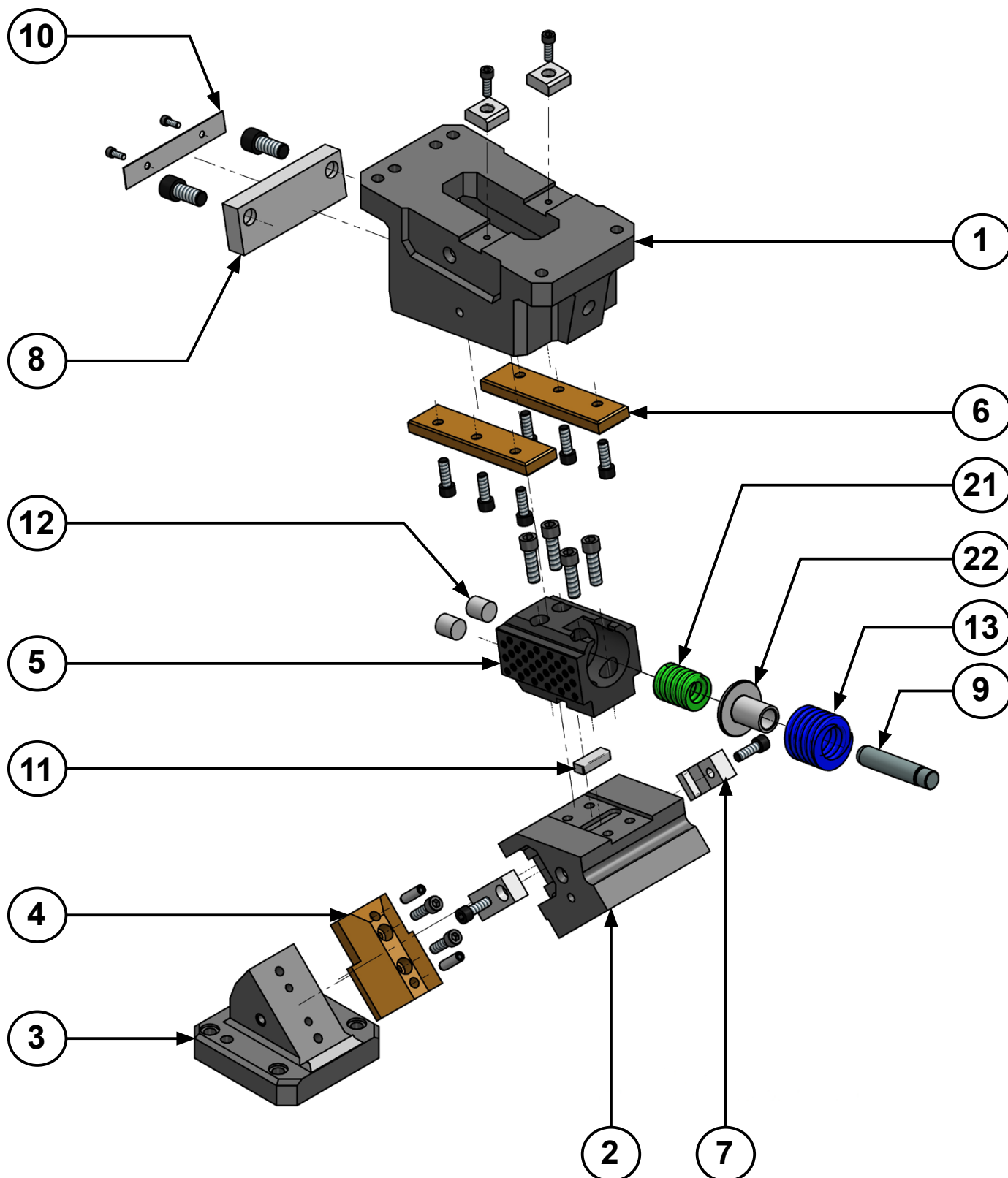


*Aerial cam for pierce*



# ASFK 0150

Aerial cam for pierce

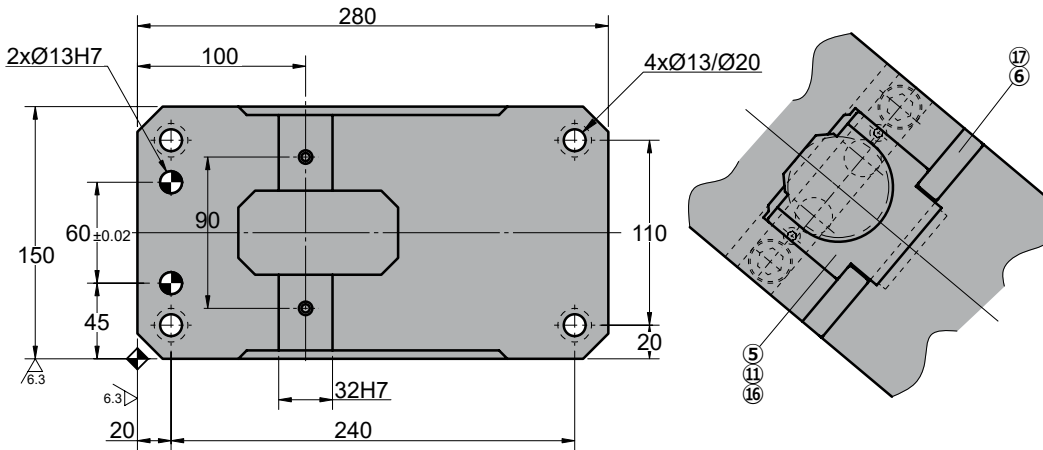


# ASCB 0150 - ASFK 0150

Aerial cam for pierce



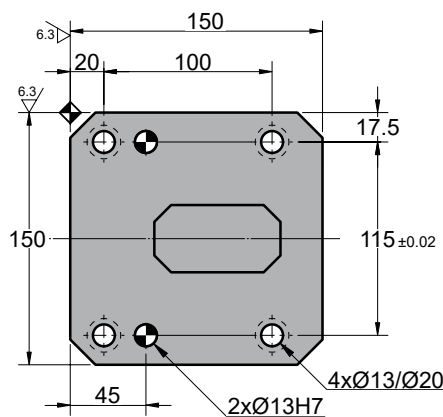
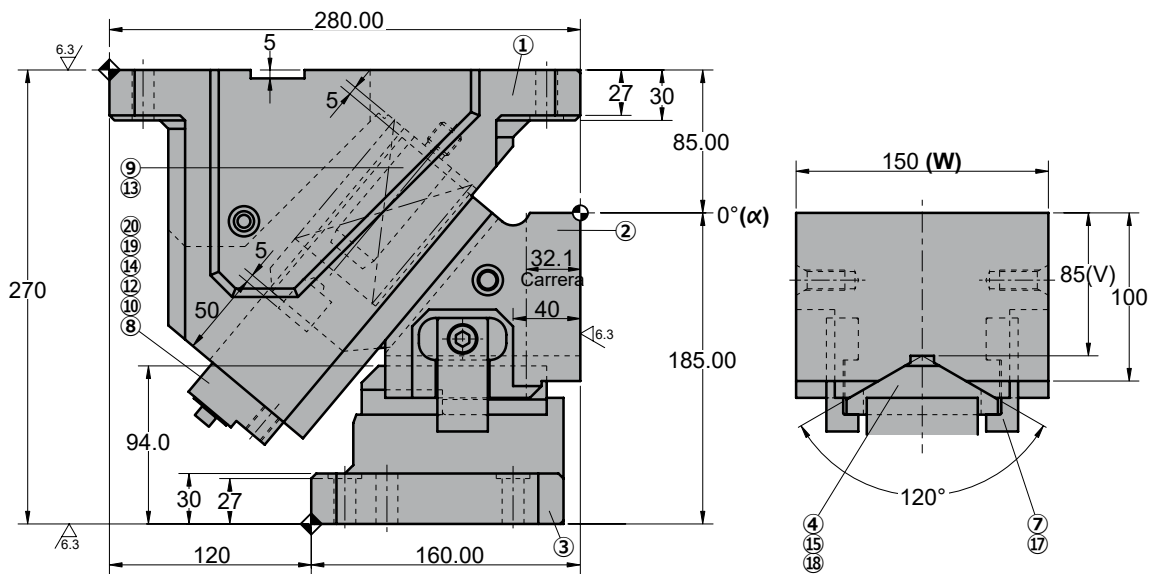
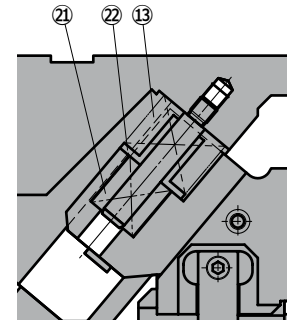
## ASCB 0150 00



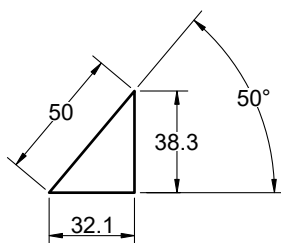
## ASFK 0150 00

SPRING SYSTEM

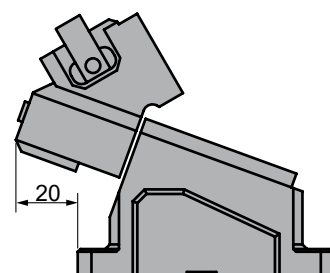
\*-Only for ASFK



### Cam diagram:



### Disassembling space:





# ASCB 0150 - ASFK 0150

Aerial cam for pierce

Stroke (mm)	Working force kN - (tons)		Spring Force N - (kgf)		Weight (Kg)	Model	W (mm)	$\alpha$ (mm)
	(1 Million Strokes)	(300.000 Strokes)	Initial F <sub>0</sub>	Final F <sub>1</sub>				
32.1	88.2 (9.0)	132.3 (13.5)	635.5 (64.8)	4607.5 (470.2)	45.4	ASCB	0150	00
	123.5 (12.6)	185.2 (18.9)	222.8 (22.7)	9569.4 (975.8)		ASFK		



Order: Model (W) ( $\alpha$ )

**ASCB 0150 00**

Standard order example according to catalog sheet. Add options applying options table contents.

## OPTIONS

**K - KT** KEY

**K** 2 x M8x15

**KT** (only for ASFK) 6 x M8x15

**P PINS**

**P16 - Ø16 H7**

**Order Options: Model (W) ( $\alpha$ )-Option**

**ASCB 0150 00-K**

**ASCB 0150 00-P16**

**ASCB 0150 00-P16-K**

**SPARE PARTS:**

- ④ Slider guide
- ⑥ Slider Plate
- ⑬ Coil Spring
- ⑳ Coil Spring\*

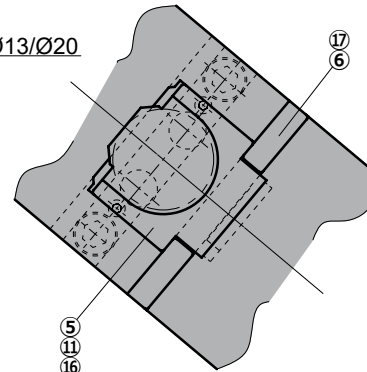
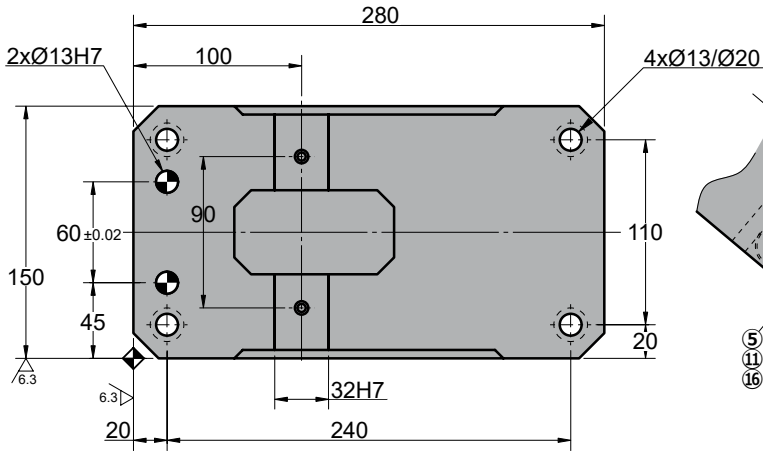
COMPONENTS			
No.	Description	Qty.	Material
①	Cam Holder	1	GG25
②	Cam Slider	1	GG25
③	Cam Driver	1	GG25
④	Slider guide	1	Bronze + G
⑤	Slider Guide Block	1	GGG50 + G
⑥	Slider Plate	2	Bronze + G
⑦	Positive Return	2	CK45
⑧	Stopper Plate	1	CK22
⑨	Spring guide	1	CK45
⑩	Security Plate	1	CK45
⑪	Slider Key	1	CK45
⑫	Cushioning Stopper	2	Urethane
⑬	Coil Spring	1	TL60-150
⑭	Disc Spring	2	M6
⑮	Dowel Pin	2	Ø10 x 40
⑯	Screw	4	M12 x 30
⑰	Screw	8	M10 x 25
⑱	Screw	2	M10 x 35
⑲	Screw	2	M16 x 35
⑳	Screw	2	M6 x 15
*⑬	Coil Spring	1	TH60-60
*⑳	Coil Spring	1	TF40-90
*㉑	Casquillo guía	1	CK45

# ASCB 0150 - ASFK 0150

Aerial cam for pierce

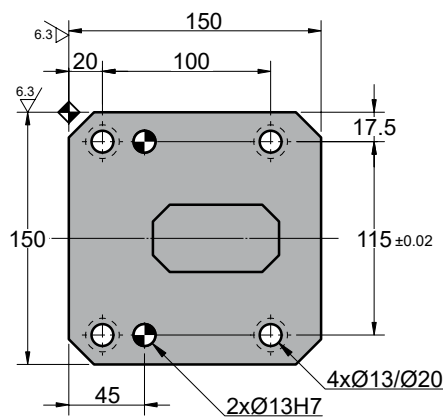
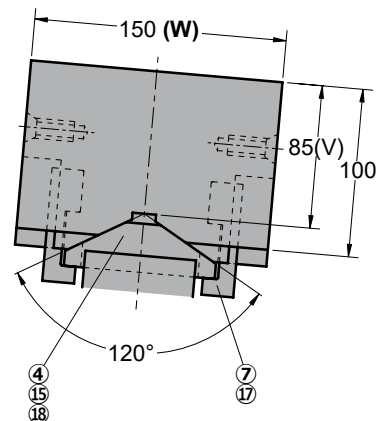
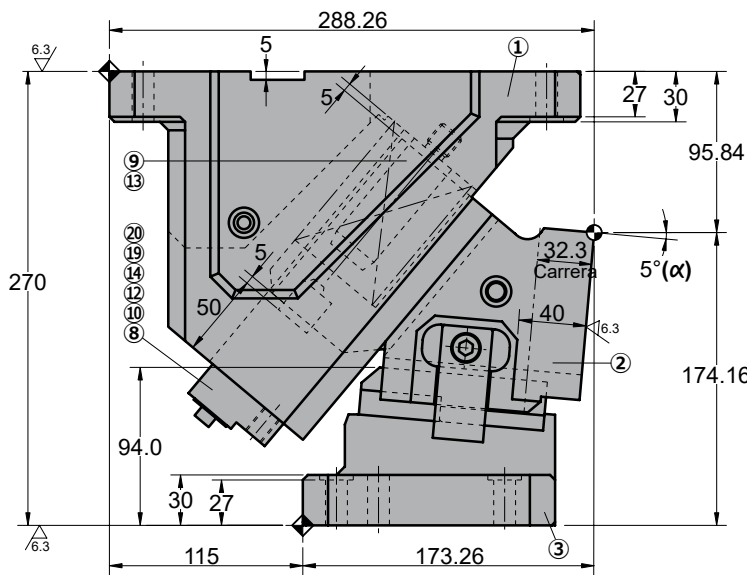
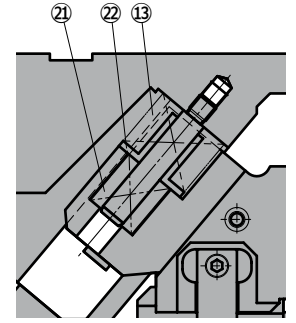


## ASCB 0150 05

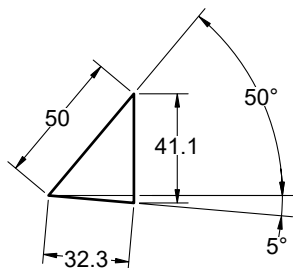


## ASFK 0150 05 SPRING SYSTEM

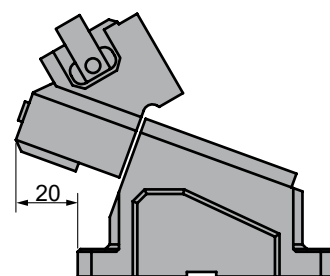
\*-Only for ASFK



### ◦Cam diagram:



### ◦Disassembling space:







# ASCB 0150 - ASFK 0150

Aerial cam for pierce

Stroke (mm)	Working force kN - (tons)		Spring Force N - (kgf)		Weight (Kg)	Model	W (mm)	$\alpha$ (mm)
	(1 Million Strokes)	(300.000 Strokes)	Initial F <sub>0</sub>	Final F <sub>1</sub>				
32.3	88.2 (9.0)	132.3 (13.5)	635.5 (64.8)	4607.5 (470.2)	45.9	ASCB	0150	05
	123.5 (12.6)	185.2 (18.9)	222.8 (22.7)	9569.4 (975.8)		ASFK		



Order: Model (W) ( $\alpha$ )

**ASCB 0150 05**

Standard order example according to catalog sheet. Add options applying options table contents.

## OPTIONS

<p><b>K - KT</b> <b>KEY</b></p> <p><b>K</b></p> <p>2 x M8x15</p> <p><b>KT (only for ASFK)</b></p> <p>6 x M8x15</p>	<p><b>P PINS</b></p> <p><b>P16 - Ø16 H7</b></p>
--	---

Order Options: Model (W) ( $\alpha$ )-Option



**ASCB 0150 05-K**

**ASCB 0150 05-P16**

**ASCB 0150 05-P16-K**



**SPARE PARTS:**

- ④ Slider guide
- ⑥ Slider Plate
- ⑬ Coil Spring
- ⑳ Coil Spring\*

## COMPONENTS

No.	Description	Qty.	Material
①	Cam Holder	1	GG25
②	Cam Slider	1	GG25
③	Cam Driver	1	GG25
④	Slider guide	1	Bronze + G
⑤	Slider Guide Block	1	GGG50 + G
⑥	Slider Plate	2	Bronze + G
⑦	Positive Return	2	CK45
⑧	Stopper Plate	1	CK22
⑨	Spring guide	1	CK45
⑩	Security Plate	1	CK45
⑪	Slider Key	1	CK45
⑫	Cushioning Stopper	2	Urethane

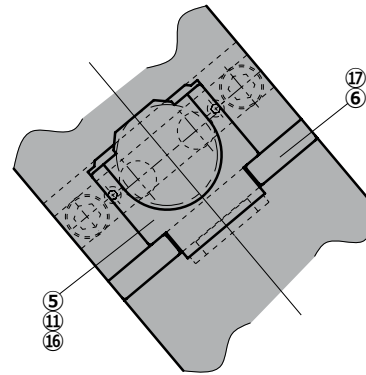
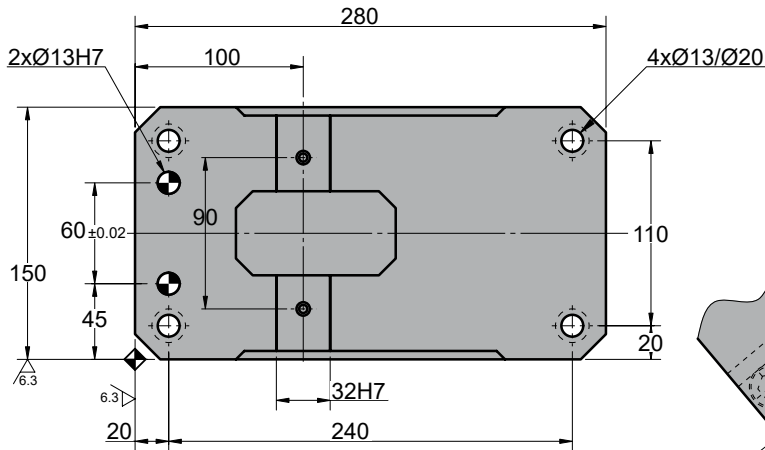
No.	Description	Qty.	Material
⑬	Coil Spring	1	TL60-150
⑭	Disc Spring	2	M6
⑮	Dowel Pin	2	Ø10 x 40
⑯	Screw	4	M12 x 30
⑰	Screw	8	M10 x 25
⑱	Screw	2	M10 x 35
⑲	Screw	2	M16 x 35
⑳	Screw	2	M6 x 15
*⑬	Coil Spring	1	TH60-60
*⑳	Coil Spring	1	TF40-90
*㉑	Casquillo guía	1	CK45

# ASCB 0150 - ASFK 0150

Aerial cam for pierce



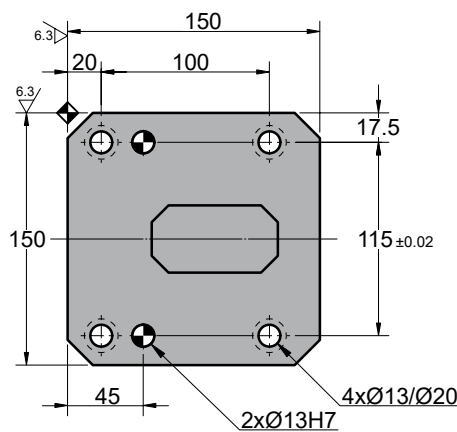
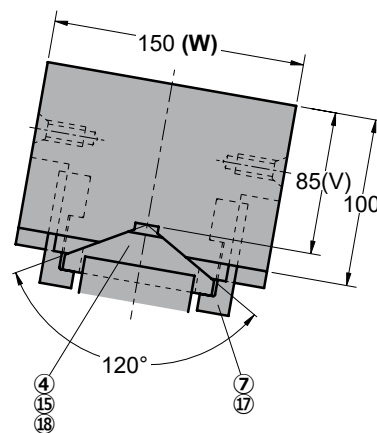
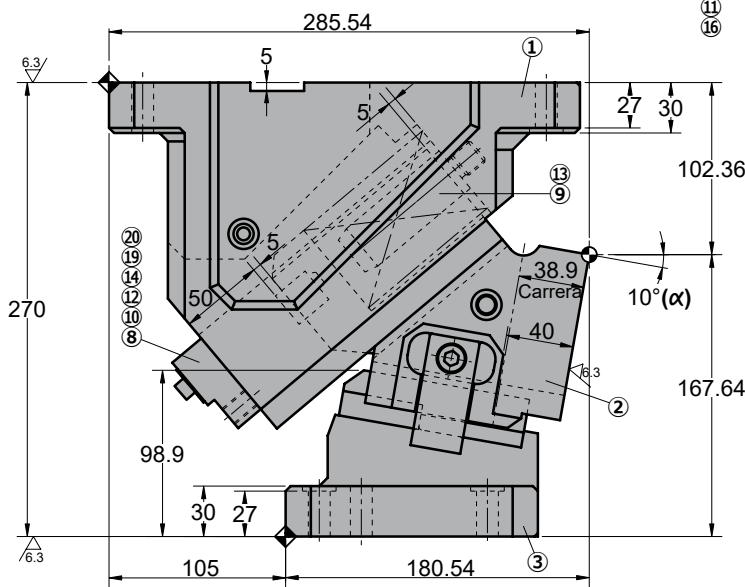
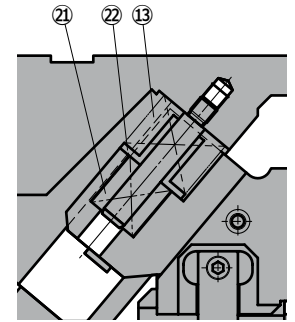
## ASCB 0150 10



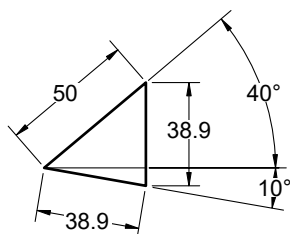
## ASFK 0150 10

SPRING SYSTEM

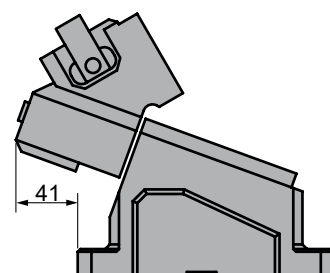
\*-Only for ASFK



### Cam diagram:



### Disassembling space:





# ASCB 0150 - ASFK 0150

Aerial cam for pierce

Stroke (mm)	Working force kN - (tons)		Spring Force N - (kgf)		Weight (Kg)	Model	W (mm)	$\alpha$ (mm)
	(1 Million Strokes)	(300.000 Strokes)	Initial F <sub>0</sub>	Final F <sub>1</sub>				
38.9	88.2 (9.0)	132.3 (13.5)	635.5 (64.8)	4607.5 (470.2)	44.4	ASCB	0150	10
	123.5 (12.6)	185.2 (18.9)	222.8 (22.7)	9569.4 (975.8)		ASFK		



Order: Model (W) ( $\alpha$ )

**ASCB 0150 10**

Standard order example according to catalog sheet. Add options applying options table contents.

## OPTIONS

<p><b>K - KT</b> <b>KEY</b></p> <p><b>K</b> 32 16 2 x M8x15</p> <p>32 32 6 x M8x15</p>	<p><b>KT</b> (only for ASFK)</p> <p>255 90 90 6 x M8x15</p>	<p><b>P PINS</b></p> <p><b>P16 - Ø16 H7</b></p>
--	---	---

Order Options: Model (W) ( $\alpha$ )-Option



**ASCB 0150 10-K**

**ASCB 0150 10-P16**

**ASCB 0150 10-P16-K**



**SPARE PARTS:**

- ④ Slider guide
- ⑥ Slider Plate
- ⑬ Coil Spring
- ⑳ Coil Spring\*

## COMPONENTS

No.	Description	Qty.	Material
①	Cam Holder	1	GG25
②	Cam Slider	1	GG25
③	Cam Driver	1	GG25
④	Slider guide	1	Bronze + G
⑤	Slider Guide Block	1	GGG50 + G
⑥	Slider Plate	2	Bronze + G
⑦	Positive Return	2	CK45
⑧	Stopper Plate	1	CK22
⑨	Spring guide	1	CK45
⑩	Security Plate	1	CK45
⑪	Slider Key	1	CK45
⑫	Cushioning Stopper	2	Urethane

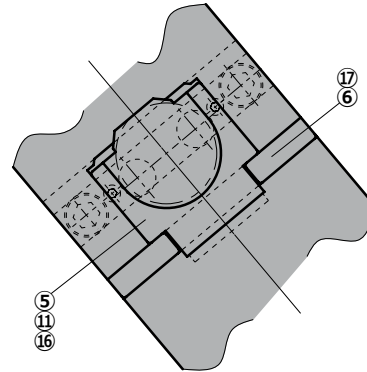
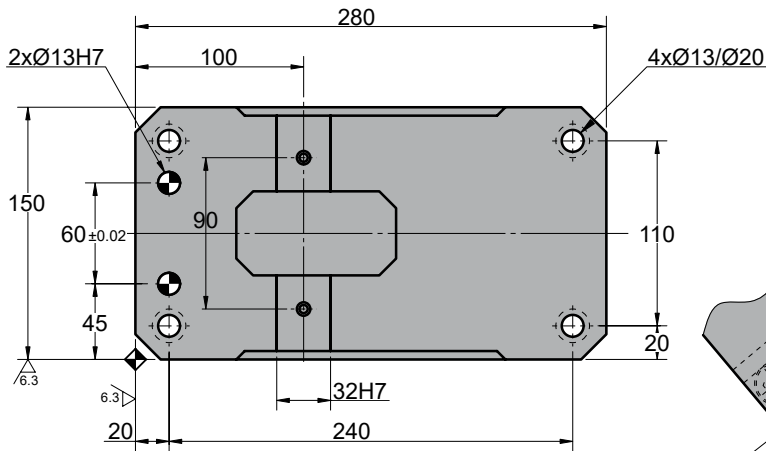
No.	Description	Qty.	Material
⑬	Coil Spring	1	TL60-150
⑭	Disc Spring	2	M6
⑮	Dowel Pin	2	Ø10 x 40
⑯	Screw	4	M12 x 30
⑰	Screw	8	M10 x 25
⑱	Screw	2	M10 x 35
⑲	Screw	2	M16 x 35
⑳	Screw	2	M6 x 15
*⑬	Coil Spring	1	TH60-60
*⑳	Coil Spring	1	TF40-90
*㉑	Casquillo guía	1	CK45

# ASCB 0150 - ASFK 0150

Aerial cam for pierce



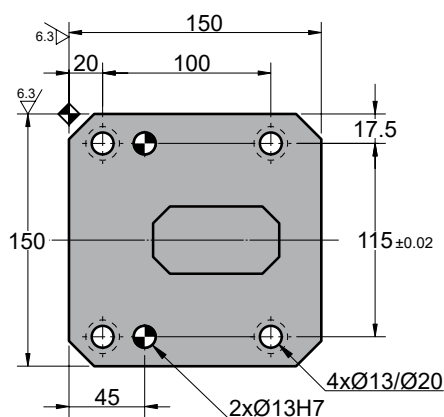
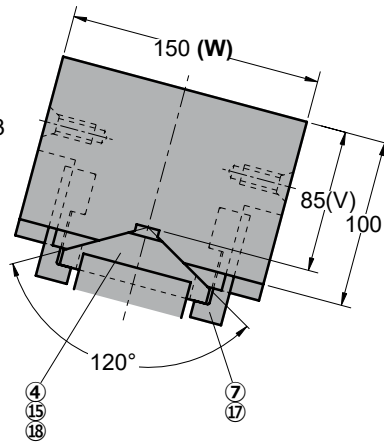
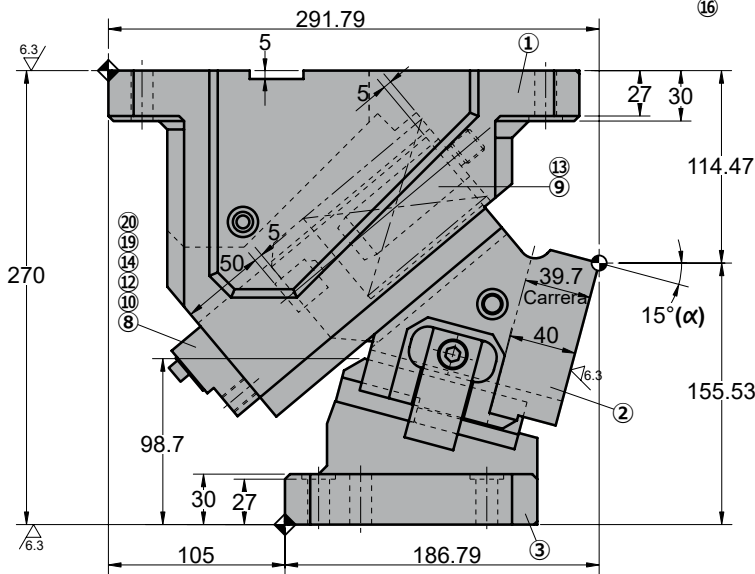
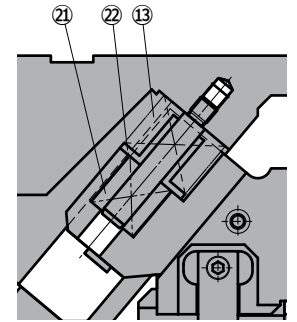
## ASCB 0150 15



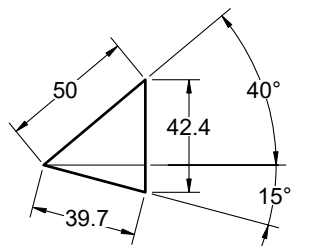
## ASFK 0150 15

SPRING SYSTEM

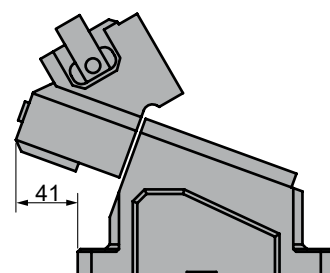
\*-Only for ASFK



### Cam diagram:



### Disassembling space:





# ASCB 0150 - ASFK 0150

Aerial cam for pierce

Stroke (mm)	Working force kN - (tons)		Spring Force N - (kgf)		Weight (Kg)	Model	W (mm)	$\alpha$ (mm)
	(1 Million Strokes)	(300.000 Strokes)	Initial F <sub>0</sub>	Final F <sub>1</sub>				
39.7	88.2 (9.0)	132.3 (13.5)	635.5 (64.8)	4607.5 (470.2)	44.9	ASCB	0150	15
	123.5 (12.6)	185.2 (18.9)	222.8 (22.7)	9569.4 (975.8)		ASFK		



Order: Model (W) ( $\alpha$ )

**ASCB 0150 15**

Standard order example according to catalog sheet. Add options applying options table contents.

## OPTIONS

<p><b>K - KT</b> KEY</p> <p><b>K</b> 32 16 2 x M8x15</p> <p><b>KT</b> (only for ASFK) 255 34 90 90 6 x M8x15</p>	<p><b>P PINS</b></p> <p><b>P16 - Ø16 H7</b></p>
--	---

Order Options: Model (W) ( $\alpha$ )-Option



**ASCB 0150 15-K**

**ASCB 0150 15-P16**

**ASCB 0150 15-P16-K**



**SPARE PARTS:**

- ④ Slider guide
- ⑥ Slider Plate
- ⑬ Coil Spring
- ⑳ Coil Spring\*

## COMPONENTS

No.	Description	Qty.	Material
①	Cam Holder	1	GG25
②	Cam Slider	1	GG25
③	Cam Driver	1	GG25
④	Slider guide	1	Bronze + G
⑤	Slider Guide Block	1	GGG50 + G
⑥	Slider Plate	2	Bronze + G
⑦	Positive Return	2	CK45
⑧	Stopper Plate	1	CK22
⑨	Spring guide	1	CK45
⑩	Security Plate	1	CK45
⑪	Slider Key	1	CK45
⑫	Cushioning Stopper	2	Urethane

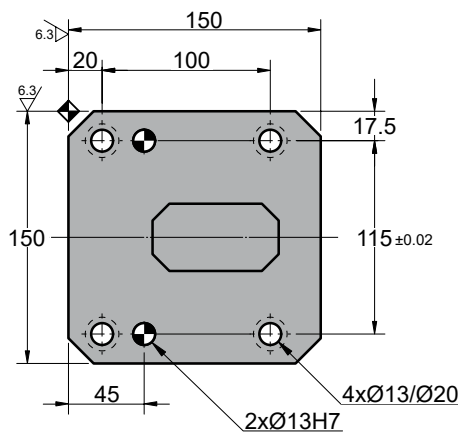
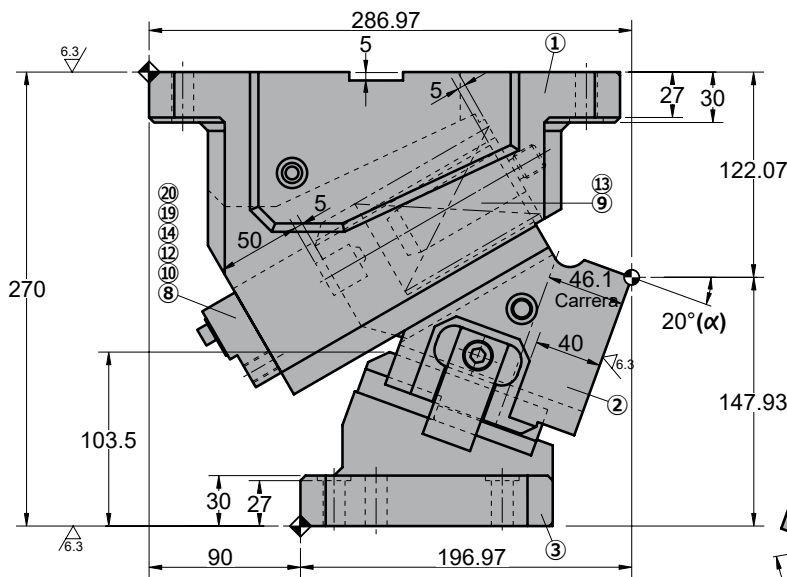
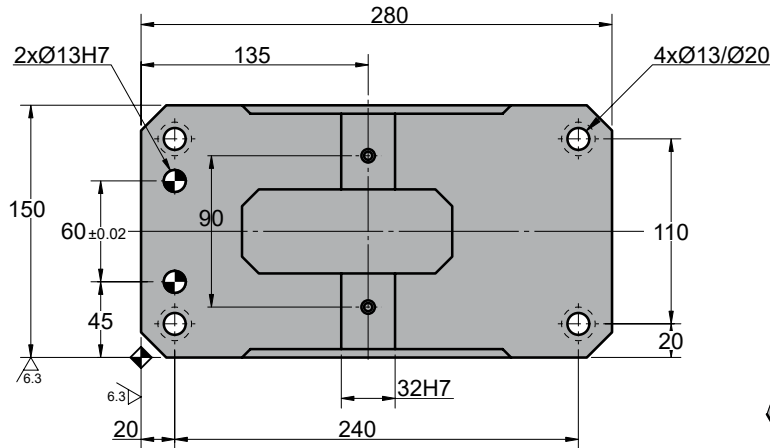
No.	Description	Qty.	Material
⑬	Coil Spring	1	TL60-150
⑭	Disc Spring	2	M6
⑮	Dowel Pin	2	Ø10 x 40
⑯	Screw	4	M12 x 30
⑰	Screw	8	M10 x 25
⑱	Screw	2	M10 x 35
⑲	Screw	2	M16 x 35
⑳	Screw	2	M6 x 15
*⑬	Coil Spring	1	TH60-60
*⑳	Coil Spring	1	TF40-90
*㉑	Casquillo guía	1	CK45

# ASCB 0150 - ASFK 0150

Aerial cam for pierce



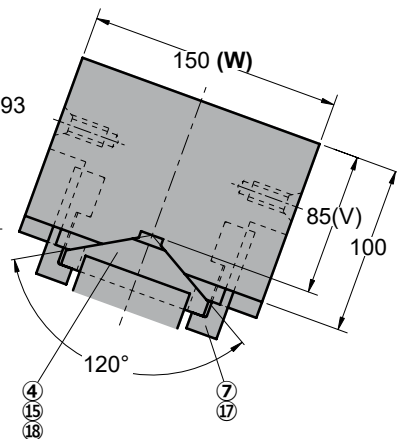
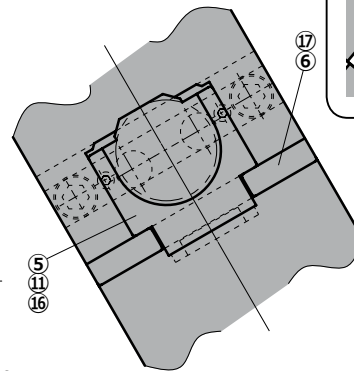
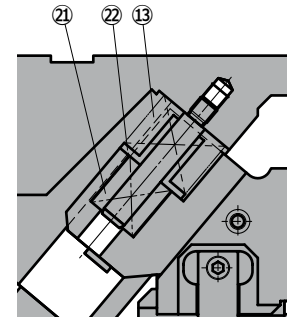
## ASCB 0150 20



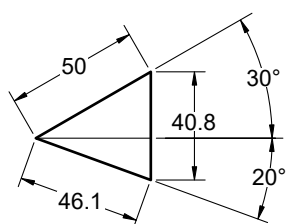
## ASFK 0150 20

SPRING SYSTEM

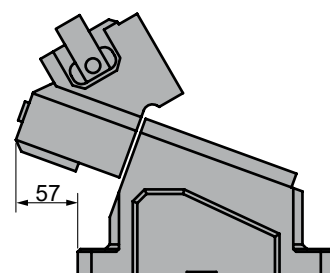
\*-Only for ASFK



### Cam diagram:



### Disassembling space:







# ASCB 0150 - ASFK 0150

Aerial cam for pierce

Stroke (mm)	Working force kN - (tons)		Spring Force N - (kgf)		Weight (Kg)	Model	W (mm)	$\alpha$ (mm)
	(1 Million Strokes)	(300.000 Strokes)	Initial F <sub>0</sub>	Final F <sub>1</sub>				
46.1	88.2 (9.0)	132.3 (13.5)	635.5 (64.8)	4607.5 (470.2)	43.2	ASCB	0150	20
	123.5 (12.6)	185.2 (18.9)	222.8 (22.7)	9569.4 (975.8)		ASFK		



Order: Model (W) ( $\alpha$ )

**ASCB 0150 20**

Standard order example according to catalog sheet. Add options applying options table contents.

## OPTIONS

**K - KT** KEY

**KT** (only for ASFK)

**P** PINS

**P16 - Ø16 H7**

**Order Options: Model (W) ( $\alpha$ )-Option**

**ASCB 0150 20-K**

**ASCB 0150 20-P16**

**ASCB 0150 20-P16-K**

**SPARE PARTS:**

- ④ Slider guide
- ⑥ Slider Plate
- ⑬ Coil Spring
- ⑳ Coil Spring\*

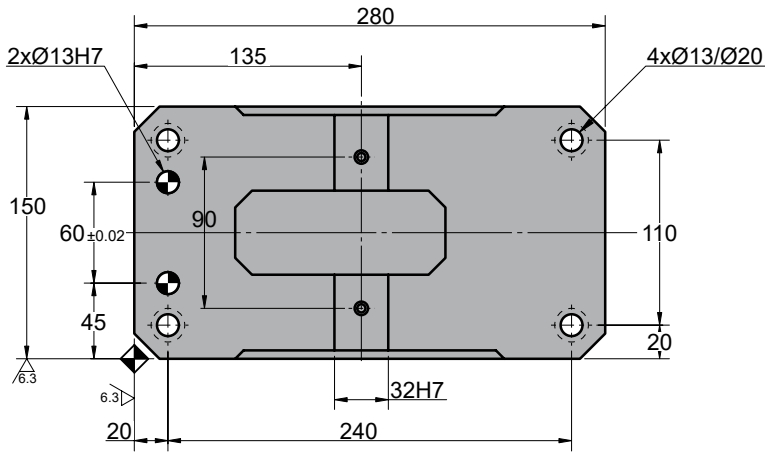
COMPONENTS			
No.	Description	Qty.	Material
①	Cam Holder	1	GG25
②	Cam Slider	1	GG25
③	Cam Driver	1	GG25
④	Slider guide	1	Bronze + G
⑤	Slider Guide Block	1	GGG50 + G
⑥	Slider Plate	2	Bronze + G
⑦	Positive Return	2	CK45
⑧	Stopper Plate	1	CK22
⑨	Spring guide	1	CK45
⑩	Security Plate	1	CK45
⑪	Slider Key	1	CK45
⑫	Cushioning Stopper	2	Urethane
⑬	Coil Spring	1	TL60-150
⑭	Disc Spring	2	M6
⑮	Dowel Pin	2	Ø10 x 40
⑯	Screw	4	M12 x 30
⑰	Screw	8	M10 x 25
⑱	Screw	2	M10 x 35
⑲	Screw	2	M16 x 35
⑳	Screw	2	M6 x 15
*⑬	Coil Spring	1	TH60-60
*⑳	Coil Spring	1	TF40-90
*㉑	Casquillo guía	1	CK45

# ASCB 0150 - ASFK 0150

Aerial cam for pierce



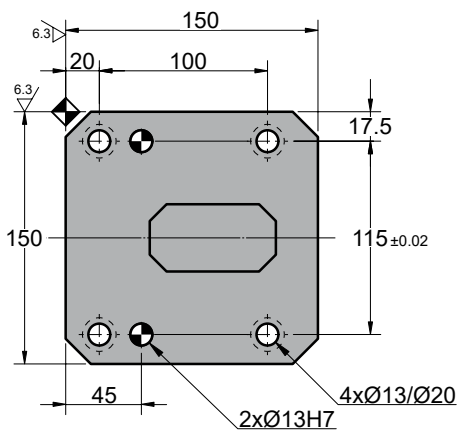
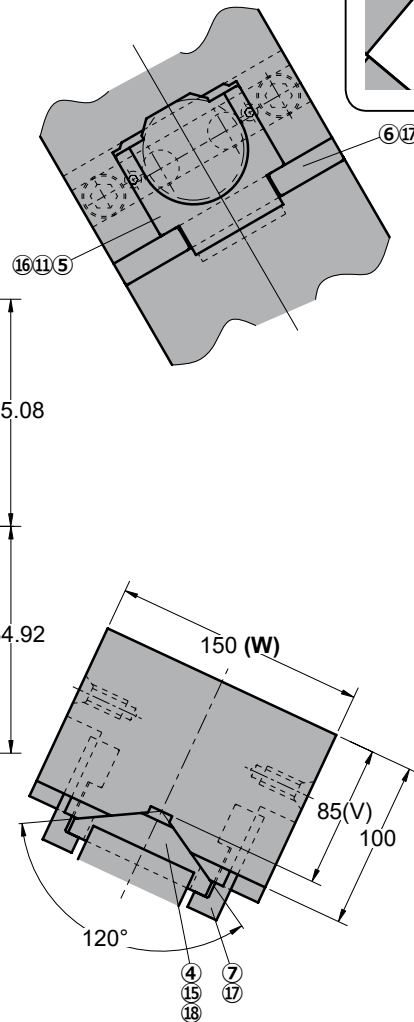
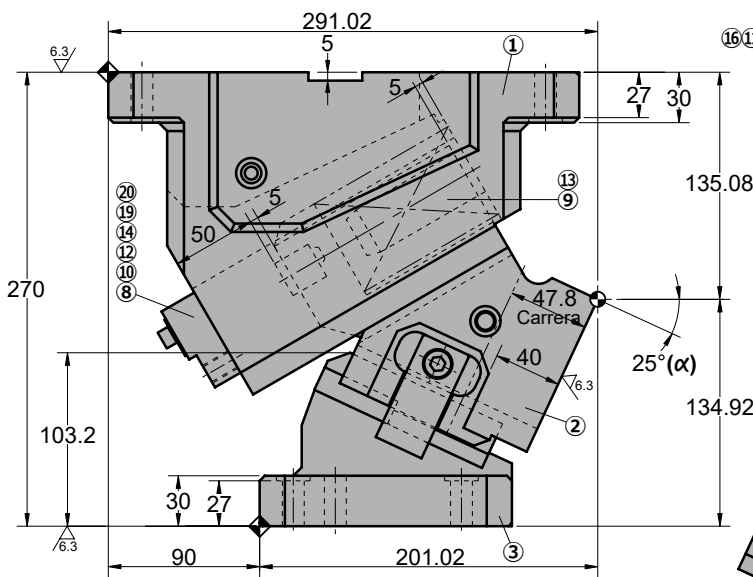
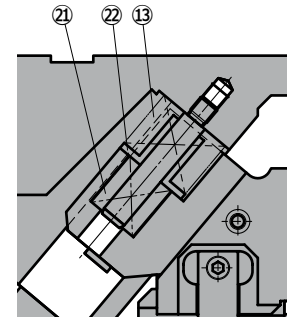
## ASCB 0150 25



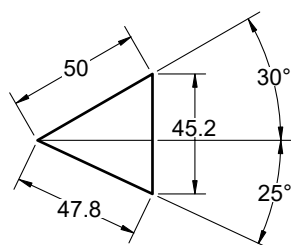
## ASFK 0150 25

SPRING SYSTEM

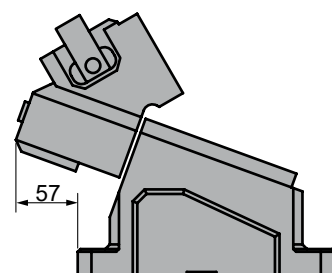
\*-Only for ASFK



### Cam diagram:



### Disassembling space:





# ASCB 0150 - ASFK 0150

Aerial cam for pierce

Stroke (mm)	Working force kN - (tons)		Spring Force N - (kgf)		Weight (Kg)	Model	W (mm)	$\alpha$ (mm)
	(1 Million Strokes)	(300.000 Strokes)	Initial F <sub>0</sub>	Final F <sub>1</sub>				
47.8	88.2 (9.0)	132.3 (13.5)	635.5 (64.8)	4607.5 (470.2)	43.7	ASCB	0150	25
	123.5 (12.6)	185.2 (18.9)	222.8 (22.7)	9569.4 (975.8)		ASFK		



Order: Model (W) ( $\alpha$ )

**ASCB 0150 25**

Standard order example according to catalog sheet. Add options applying options table contents.

## OPTIONS

<p><b>K - KT</b> KEY</p> <p><b>K</b> 32 16 2 x M8x15</p> <p>32 32 6 x M8x15</p> <p><b>KT</b> (only for ASFK) 255 34 90 90 6 x M8x15</p>	<p><b>P</b> PINS</p> <p><b>P16 - Ø16 H7</b></p>
---	---

Order Options: Model (W) ( $\alpha$ )-Option



**ASCB 0150 25-K**

**ASCB 0150 25-P16**

**ASCB 0150 25-P16-K**



**SPARE PARTS:**

- ④ Slider guide
- ⑥ Slider Plate
- ⑬ Coil Spring
- ⑳ Coil Spring\*

## COMPONENTS

No.	Description	Qty.	Material
①	Cam Holder	1	GG25
②	Cam Slider	1	GG25
③	Cam Driver	1	GG25
④	Slider guide	1	Bronze + G
⑤	Slider Guide Block	1	GGG50 + G
⑥	Slider Plate	2	Bronze + G
⑦	Positive Return	2	CK45
⑧	Stopper Plate	1	CK22
⑨	Spring guide	1	CK45
⑩	Security Plate	1	CK45
⑪	Slider Key	1	CK45
⑫	Cushioning Stopper	2	Urethane

No.	Description	Qty.	Material
⑬	Coil Spring	1	TL60-150
⑭	Disc Spring	2	M6
⑮	Dowel Pin	2	Ø10 x 40
⑯	Screw	4	M12 x 30
⑰	Screw	8	M10 x 25
⑱	Screw	2	M10 x 35
⑲	Screw	2	M16 x 35
⑳	Screw	2	M6 x 15
*⑬	Coil Spring	1	TH60-60
*⑳	Coil Spring	1	TF40-90
*㉑	Casquillo guía	1	CK45





# ASCB 0150 - ASFK 0150

Aerial cam for pierce

Stroke (mm)	Working force kN - (tons)		Spring Force N - (kgf)		Weight (Kg)	Model	W (mm)	$\alpha$ (mm)
	(1 Million Strokes)	(300.000 Strokes)	Initial F <sub>0</sub>	Final F <sub>1</sub>				
54.3	88.2 (9.0)	132.3 (13.5)	635.5 (64.8)	4607.5 (470.2)	42.2	ASCB	0150	30
	123.5 (12.6)	185.2 (18.9)	222.8 (22.7)	9569.4 (975.8)		ASFK		



Order: Model (W) ( $\alpha$ )

**ASCB 0150 30**

Standard order example according to catalog sheet. Add options applying options table contents.

## OPTIONS

**K - KT** KEY

**K** 32x16x32 2 x M8x15

**KT** (only for ASFK) 255x34x90 6 x M8x15

**P** PINS

**P16** - Ø16 H7

**Order Options: Model (W) ( $\alpha$ )-Option**

**ASCB 0150 30-K**

**ASCB 0150 30-P16**

**ASCB 0150 30-P16-K**

**SPARE PARTS:**

- ④ Slider guide
- ⑥ Slider Plate
- ⑬ Coil Spring
- ⑳ Coil Spring\*

COMPONENTS			
No.	Description	Qty.	Material
①	Cam Holder	1	GG25
②	Cam Slider	1	GG25
③	Cam Driver	1	GG25
④	Slider guide	1	Bronze + G
⑤	Slider Guide Block	1	GGG50 + G
⑥	Slider Plate	2	Bronze + G
⑦	Positive Return	2	CK45
⑧	Stopper Plate	1	CK22
⑨	Spring guide	1	CK45
⑩	Security Plate	1	CK45
⑪	Slider Key	1	CK45
⑫	Cushioning Stopper	2	Urethane
⑬	Coil Spring	1	TL60-150
⑭	Disc Spring	2	M6
⑮	Dowel Pin	2	Ø10 x 40
⑯	Screw	4	M12 x 30
⑰	Screw	8	M10 x 25
⑱	Screw	2	M10 x 35
⑲	Screw	2	M16 x 35
⑳	Screw	2	M6 x 15
*⑬	Coil Spring	1	TH60-60
*⑳	Coil Spring	1	TF40-90
*㉑	Casquillo guía	1	CK45







# ASCB 0150 - ASFK 0150

Aerial cam for pierce

Stroke (mm)	Working force kN - (tons)		Spring Force N - (kgf)		Weight (Kg)	Model	W (mm)	$\alpha$ (mm)
	(1 Million Strokes)	(300.000 Strokes)	Initial F <sub>0</sub>	Final F <sub>1</sub>				
57.4	88.2 (9.0)	132.3 (13.5)	635.5 (64.8)	4607.5 (470.2)	42.7	ASCB	0150	35
	123.5 (12.6)	185.2 (18.9)	222.8 (22.7)	9569.4 (975.8)		ASFK		



Order: Model (W) ( $\alpha$ )

**ASCB 0150 35**

Standard order example according to catalog sheet. Add options applying options table contents.

## OPTIONS

**K - KT** KEY

**P PINS**

**P16 - Ø16 H7**

**Order Options: Model (W) ( $\alpha$ )-Option**

**ASCB 0150 35-K**

**ASCB 0150 35-P16**

**ASCB 0150 35-P16-K**

**SPARE PARTS:**

- ④ Slider guide
- ⑥ Slider Plate
- ⑬ Coil Spring
- ⑳ Coil Spring\*

COMPONENTS			
No.	Description	Qty.	Material
①	Cam Holder	1	GG25
②	Cam Slider	1	GG25
③	Cam Driver	1	GG25
④	Slider guide	1	Bronze + G
⑤	Slider Guide Block	1	GGG50 + G
⑥	Slider Plate	2	Bronze + G
⑦	Positive Return	2	CK45
⑧	Stopper Plate	1	CK22
⑨	Spring guide	1	CK45
⑩	Security Plate	1	CK45
⑪	Slider Key	1	CK45
⑫	Cushioning Stopper	2	Urethane
⑬	Coil Spring	1	TL60-150
⑭	Disc Spring	2	M6
⑮	Dowel Pin	2	Ø10 x 40
⑯	Screw	4	M12 x 30
⑰	Screw	8	M10 x 25
⑱	Screw	2	M10 x 35
⑲	Screw	2	M16 x 35
⑳	Screw	2	M6 x 15
*⑬	Coil Spring	1	TH60-60
*⑳	Coil Spring	1	TF40-90
*㉑	Casquillo guía	1	CK45





# ASCB 0150 - ASFK 0150

Aerial cam for pierce

Stroke (mm)	Working force kN - (tons)		Spring Force N - (kgf)		Weight (Kg)	Model	W (mm)	$\alpha$ (mm)
	(1 Million Strokes)	(300.000 Strokes)	Initial F <sub>0</sub>	Final F <sub>1</sub>				
64.3	88.2 (9.0)	132.3 (13.5)	635.5 (64.8)	4607.5 (470.2)	41.0	ASCB	0150	40
	123.5 (12.6)	185.2 (18.9)	222.8 (22.7)	9569.4 (975.8)		ASFK		



Order: Model (W) ( $\alpha$ )

**ASCB 0150 40**

Standard order example according to catalog sheet. Add options applying options table contents.

## OPTIONS

<p><b>K - KT</b> KEY</p> <p><b>K</b> 32 16 2 x M8x15</p> <p><b>KT</b> (only for ASFK) 255 34 90 6 x M8x15</p>	<p><b>P PINS</b></p> <p><b>P16 - Ø16 H7</b></p>
---	---

Order Options: Model (W) ( $\alpha$ )-Option



**ASCB 0150 40-K**

**ASCB 0150 40-P16**

**ASCB 0150 40-P16-K**



**SPARE PARTS:**

- ④ Slider guide
- ⑥ Slider Plate
- ⑬ Coil Spring
- ⑳ Coil Spring\*

## COMPONENTS

No.	Description	Qty.	Material
①	Cam Holder	1	GG25
②	Cam Slider	1	GG25
③	Cam Driver	1	GG25
④	Slider guide	1	Bronze + G
⑤	Slider Guide Block	1	GGG50 + G
⑥	Slider Plate	2	Bronze + G
⑦	Positive Return	2	CK45
⑧	Stopper Plate	1	CK22
⑨	Spring guide	1	CK45
⑩	Security Plate	1	CK45
⑪	Slider Key	1	CK45
⑫	Cushioning Stopper	2	Urethane

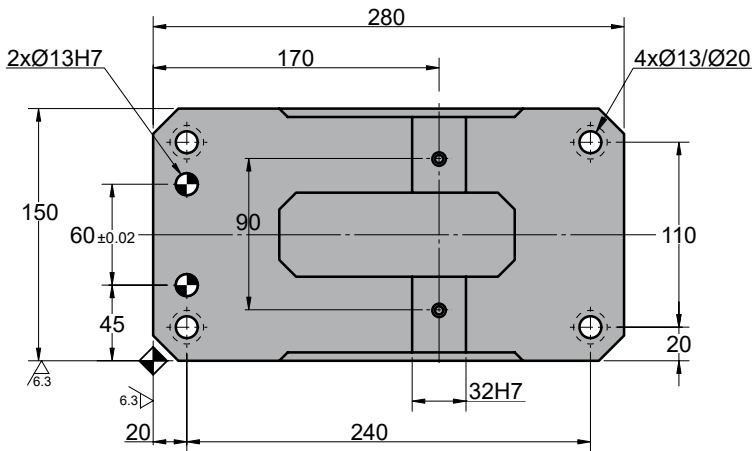
No.	Description	Qty.	Material
⑬	Coil Spring	1	TL60-150
⑭	Disc Spring	2	M6
⑮	Dowel Pin	2	Ø10 x 40
⑯	Screw	4	M12 x 30
⑰	Screw	8	M10 x 25
⑱	Screw	2	M10 x 35
⑲	Screw	2	M16 x 35
⑳	Screw	2	M6 x 15
*⑬	Coil Spring	1	TH60-60
*⑳	Coil Spring	1	TF40-90
*㉑	Casquillo guía	1	CK45

# ASCB 0150 - ASFK 0150

Aerial cam for pierce



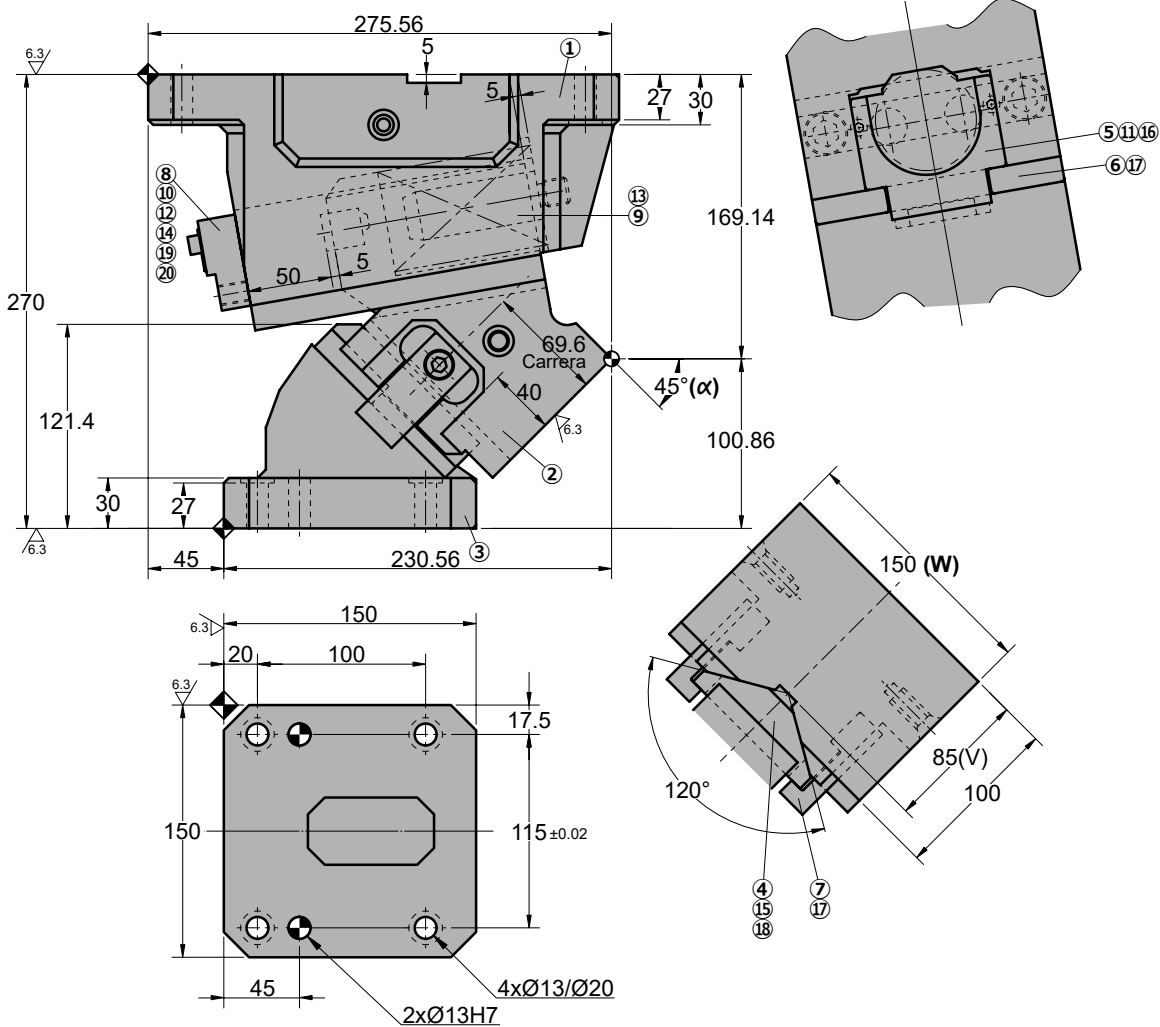
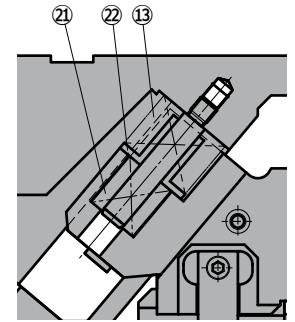
## ASCB 0150 45



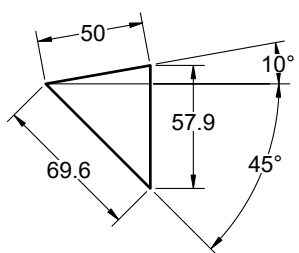
## ASFK 0150 45

SPRING SYSTEM

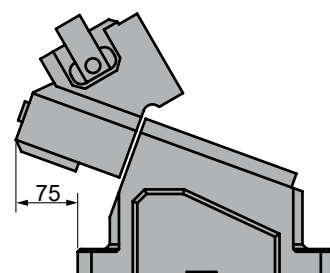
\*-Only for ASFK



### Cam diagram:



### Disassembling space:





# ASCB 0150 - ASFK 0150

Aerial cam for pierce

Stroke (mm)	Working force kN - (tons)		Spring Force N - (kgf)		Weight (Kg)	Model	W (mm)	$\alpha$ (mm)
	(1 Million Strokes)	(300.000 Strokes)	Initial F <sub>0</sub>	Final F <sub>1</sub>				
69.6	88.2 (9.0)	132.3 (13.5)	635.5 (64.8)	4607.5 (470.2)	41.4	ASCB	0150	45
	123.5 (12.6)	185.2 (18.9)	222.8 (22.7)	9569.4 (975.8)		ASFK		



Order: Model (W) ( $\alpha$ )

**ASCB 0150 45**

Standard order example according to catalog sheet. Add options applying options table contents.

## OPTIONS

<p><b>K - KT</b> KEY</p> <p><b>K</b> 32 16 2 x M8x15</p> <p><b>KT (only for ASFK)</b> 255 34 90 90 6 x M8x15</p>	<p><b>P PINS</b></p> <p><b>P16 - Ø16 H7</b></p>
--	---

Order Options: Model (W) ( $\alpha$ )-Option



**ASCB 0150 45-K**

**ASCB 0150 45-P16**

**ASCB 0150 45-P16-K**



**SPARE PARTS:**

- ④ Slider guide
- ⑥ Slider Plate
- ⑬ Coil Spring
- ⑳ Coil Spring\*

## COMPONENTS

No.	Description	Qty.	Material
①	Cam Holder	1	GG25
②	Cam Slider	1	GG25
③	Cam Driver	1	GG25
④	Slider guide	1	Bronze + G
⑤	Slider Guide Block	1	GGG50 + G
⑥	Slider Plate	2	Bronze + G
⑦	Positive Return	2	CK45
⑧	Stopper Plate	1	CK22
⑨	Spring guide	1	CK45
⑩	Security Plate	1	CK45
⑪	Slider Key	1	CK45
⑫	Cushioning Stopper	2	Urethane

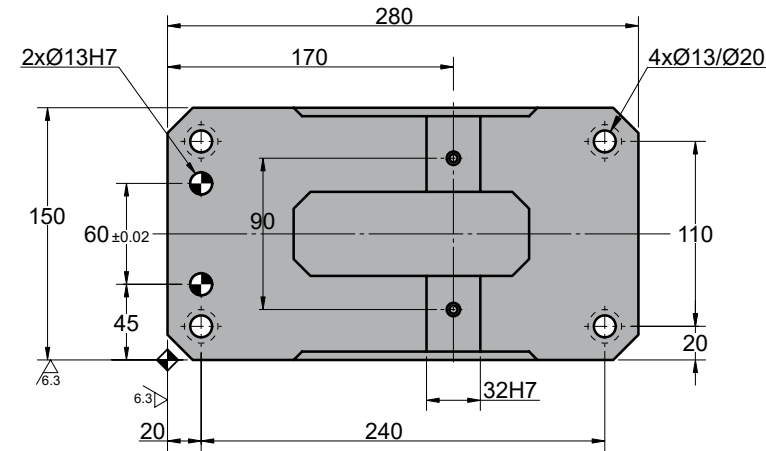
No.	Description	Qty.	Material
⑬	Coil Spring	1	TL60-150
⑭	Disc Spring	2	M6
⑮	Dowel Pin	2	Ø10 x 40
⑯	Screw	4	M12 x 30
⑰	Screw	8	M10 x 25
⑱	Screw	2	M10 x 35
⑲	Screw	2	M16 x 35
⑳	Screw	2	M6 x 15
*⑬	Coil Spring	1	TH60-60
*⑳	Coil Spring	1	TF40-90
*㉑	Casquillo guía	1	CK45

# ASCB 0150 - ASFK 0150

Aerial cam for pierce

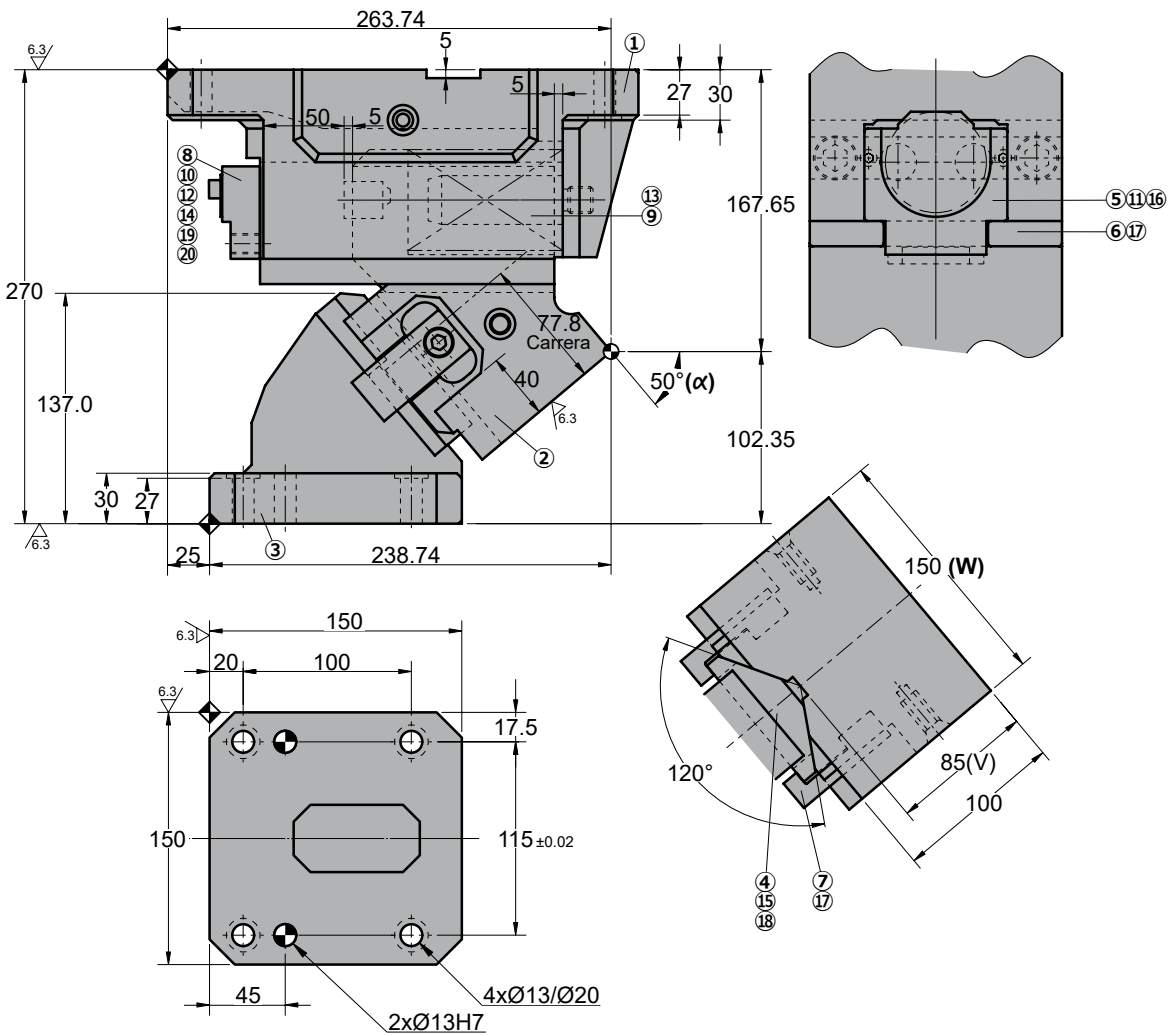
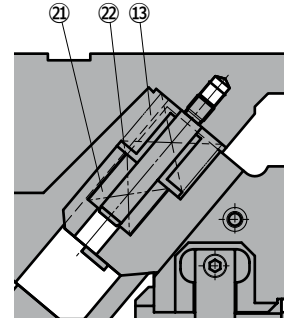


## ASCB 0150 50

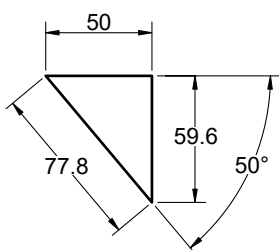


## ASFK 0150 50 SPRING SYSTEM

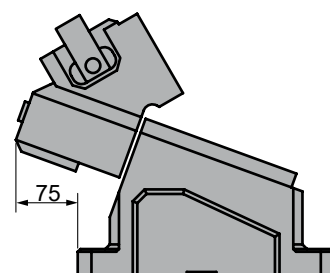
\*-Only for ASFK



### Cam diagram:



### Disassembling space:







# ASCB 0150 - ASFK 0150

Aerial cam for pierce

Stroke (mm)	Working force kN - (tons)		Spring Force N - (kgf)		Weight (Kg)	Model	W (mm)	$\alpha$ (mm)
	(1 Million Strokes)	(300.000 Strokes)	Initial F <sub>0</sub>	Final F <sub>1</sub>				
77.8	88.2 (9.0)	132.3 (13.5)	635.5 (64.8)	4607.5 (470.2)	40.5	ASCB	0150	50
	123.5 (12.6)	185.2 (18.9)	222.8 (22.7)	9569.4 (975.8)		ASFK		



Order: Model (W) ( $\alpha$ )

**ASCB 0150 50**

Standard order example according to catalog sheet. Add options applying options table contents.

## OPTIONS

<p><b>K - KT</b> KEY</p> <p><b>K</b> 32 16 2 x M8x15</p> <p><b>KT</b> (only for ASFK) 255 34 90 90 6 x M8x15</p>	<p><b>P PINS</b></p> <p><b>P16 - Ø16 H7</b></p>
--	---

Order Options: Model (W) ( $\alpha$ )-Option



**ASCB 0150 50-K**

**ASCB 0150 50-P16**

**ASCB 0150 50-P16-K**



**SPARE PARTS:**

- ④ Slider guide
- ⑥ Slider Plate
- ⑬ Coil Spring
- ⑳ Coil Spring\*

## COMPONENTS

No.	Description	Qty.	Material
①	Cam Holder	1	GG25
②	Cam Slider	1	GG25
③	Cam Driver	1	GG25
④	Slider guide	1	Bronze + G
⑤	Slider Guide Block	1	GGG50 + G
⑥	Slider Plate	2	Bronze + G
⑦	Positive Return	2	CK45
⑧	Stopper Plate	1	CK22
⑨	Spring guide	1	CK45
⑩	Security Plate	1	CK45
⑪	Slider Key	1	CK45
⑫	Cushioning Stopper	2	Urethane

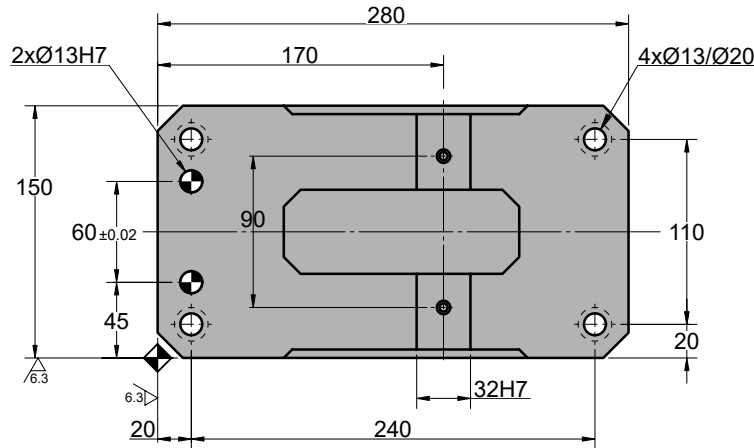
No.	Description	Qty.	Material
⑬	Coil Spring	1	TL60-150
⑭	Disc Spring	2	M6
⑮	Dowel Pin	2	Ø10 x 40
⑯	Screw	4	M12 x 30
⑰	Screw	8	M10 x 25
⑱	Screw	2	M10 x 35
⑲	Screw	2	M16 x 35
⑳	Screw	2	M6 x 15
*⑬	Coil Spring	1	TH60-60
*⑳	Coil Spring	1	TF40-90
*㉑	Casquillo guía	1	CK45

# ASCB 0150 - ASFK 0150

Aerial cam for pierce



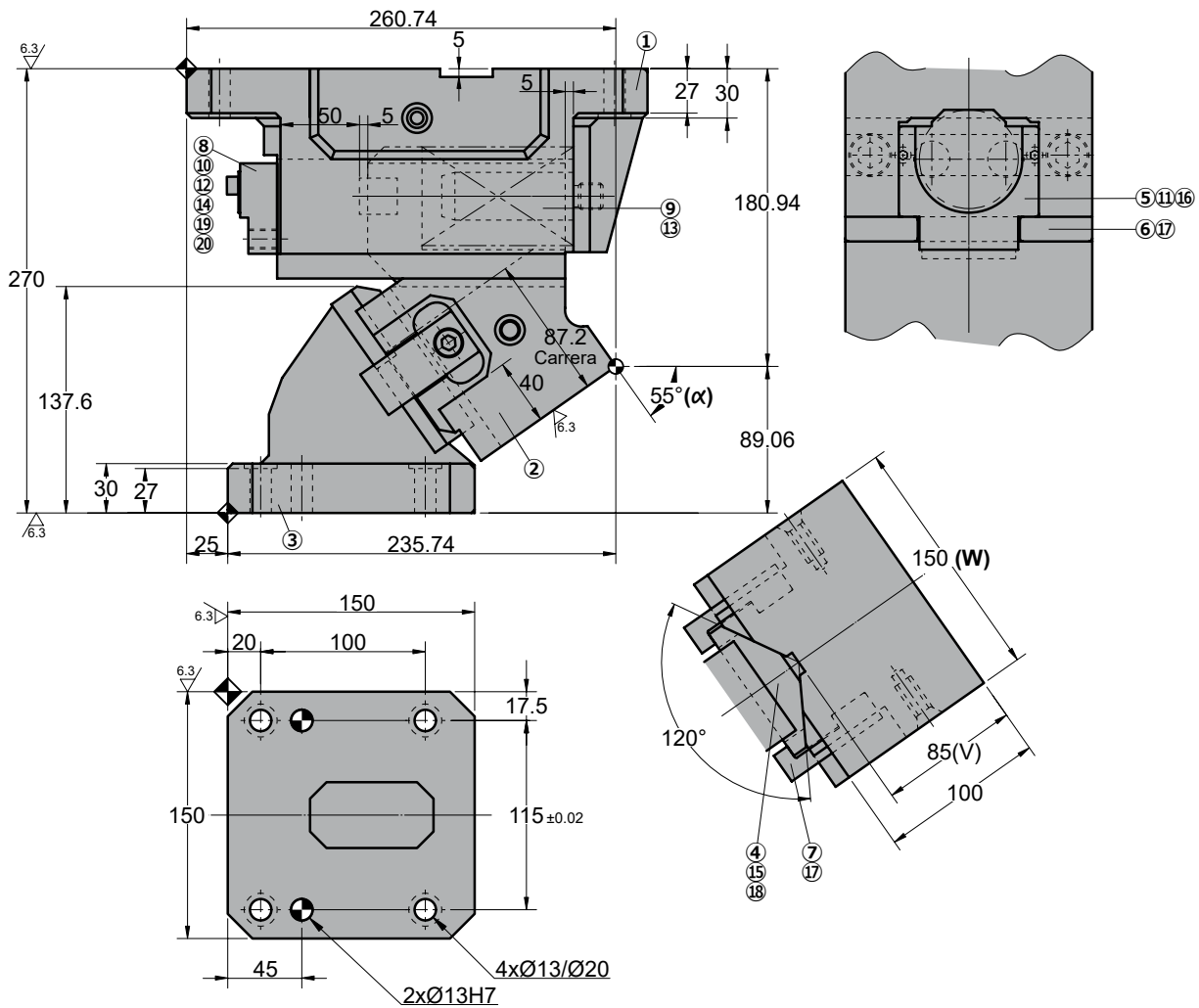
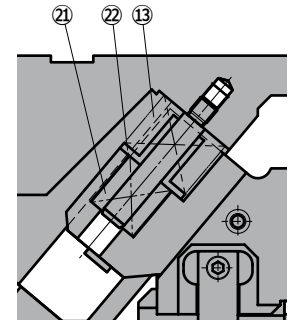
## ASCB 0150 55



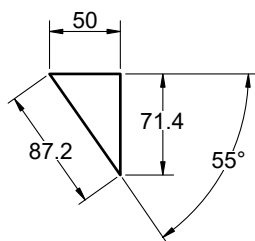
## ASFK 0150 55

SPRING SYSTEM

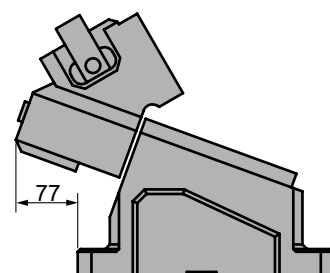
\*-Only for ASFK



### Cam diagram:



### Disassembling space:





# ASCB 0150 - ASFK 0150

Aerial cam for pierce

Stroke (mm)	Working force kN - (tons)		Spring Force N - (kgf)		Weight (Kg)	Model	W (mm)	$\alpha$ (mm)
	(1 Million Strokes)	(300.000 Strokes)	Initial F <sub>0</sub>	Final F <sub>1</sub>				
87.2	88.2 (9.0)	132.3 (13.5)	635.5 (64.8)	4607.5 (470.2)	40.9	ASCB	0150	55
	123.5 (12.6)	185.2 (18.9)	222.8 (22.7)	9569.4 (975.8)		ASFK		



Order: Model (W) ( $\alpha$ )

**ASCB 0150 55**

Standard order example according to catalog sheet. Add options applying options table contents.

## OPTIONS

<p><b>K - KT</b> KEY</p> <p><b>K</b> 32x16 2 x M8x15</p> <p><b>KT (only for ASFK)</b> 255x34x90 6 x M8x15</p>	<p><b>P PINS</b></p> <p><b>P16 - Ø16 H7</b></p>
---	---

Order Options: Model (W) ( $\alpha$ )-Option



**ASCB 0150 55-K**

**ASCB 0150 55-P16**

**ASCB 0150 55-P16-K**



**SPARE PARTS:**

- ④ Slider guide
- ⑥ Slider Plate
- ⑬ Coil Spring
- ⑳ Coil Spring\*

## COMPONENTS

No.	Description	Qty.	Material
①	Cam Holder	1	GG25
②	Cam Slider	1	GG25
③	Cam Driver	1	GG25
④	Slider guide	1	Bronze + G
⑤	Slider Guide Block	1	GGG50 + G
⑥	Slider Plate	2	Bronze + G
⑦	Positive Return	2	CK45
⑧	Stopper Plate	1	CK22
⑨	Spring guide	1	CK45
⑩	Security Plate	1	CK45
⑪	Slider Key	1	CK45
⑫	Cushioning Stopper	2	Urethane

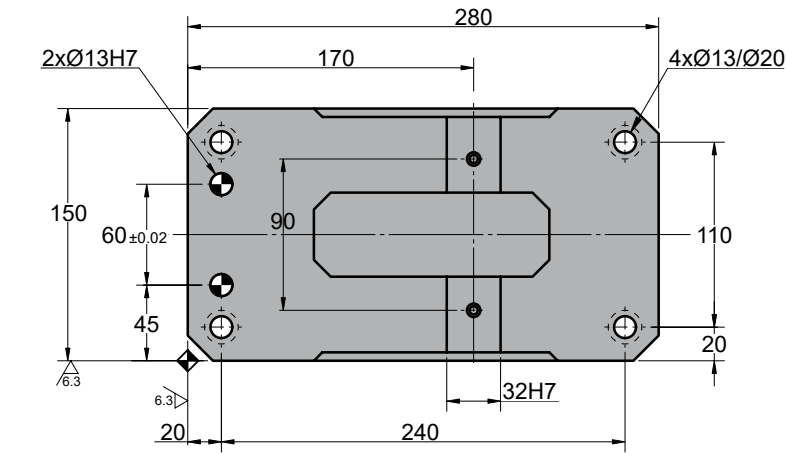
No.	Description	Qty.	Material
⑬	Coil Spring	1	TL60-150
⑭	Disc Spring	2	M6
⑮	Dowel Pin	2	Ø10 x 40
⑯	Screw	4	M12 x 30
⑰	Screw	8	M10 x 25
⑱	Screw	2	M10 x 35
⑲	Screw	2	M16 x 35
⑳	Screw	2	M6 x 15
*⑬	Coil Spring	1	TH60-60
*⑳	Coil Spring	1	TF40-90
*㉑	Casquillo guía	1	CK45

# ASCB 0150 - ASFK 0150

Aerial cam for pierce



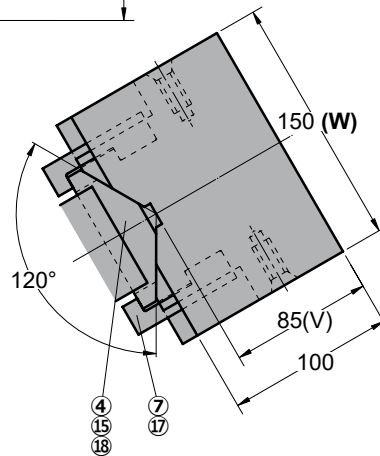
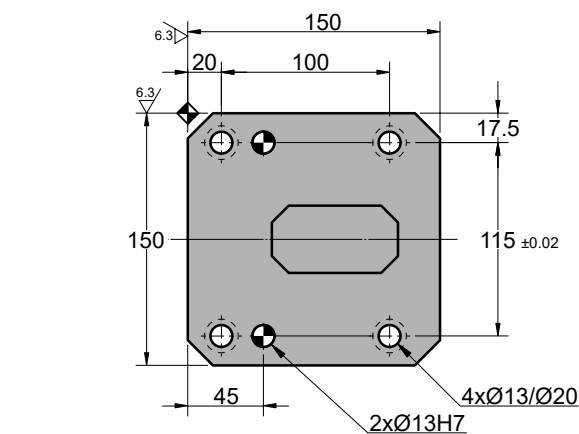
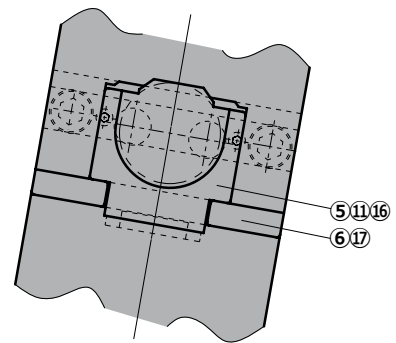
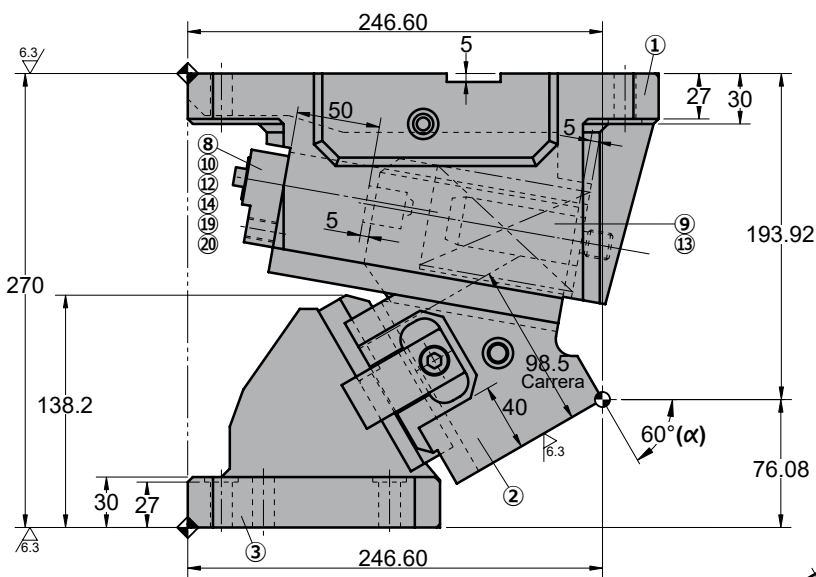
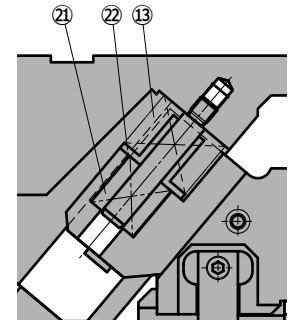
## ASCB 0150 60



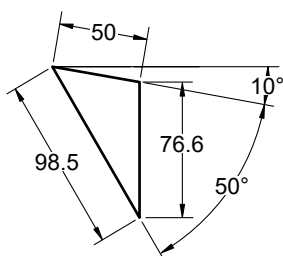
## ASFK 0150 60

SPRING SYSTEM

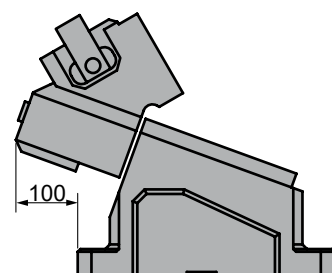
\*-Only for ASFK



### Cam diagram:



### Disassembling space:





# ASCB 0150 - ASFK 0150

Aerial cam for pierce

Stroke (mm)	Working force kN - (tons)		Spring Force N - (kgf)		Weight (Kg)	Model	W (mm)	$\alpha$ (mm)
	(1 Million Strokes)	(300.000 Strokes)	Initial F <sub>0</sub>	Final F <sub>1</sub>				
98.5	88.2 (9.0)	132.3 (13.5)	635.5 (64.8)	4607.5 (470.2)	41.5	ASCB	0150	60
	123.5 (12.6)	185.2 (18.9)	222.8 (22.7)	9569.4 (975.8)		ASFK		



Order: Model (W) ( $\alpha$ )

**ASCB 0150 60**

Standard order example according to catalog sheet. Add options applying options table contents.

## OPTIONS

<p><b>K - KT</b> KEY</p> <p><b>K</b> 32 16 2 x M8x15</p> <p><b>KT (only for ASFK)</b> 255 34 90 90 6 x M8x15</p>	<p><b>P PINS</b></p> <p><b>P16 - Ø16 H7</b></p>
--	---

Order Options: Model (W) ( $\alpha$ )-Option



**ASCB 0150 60-K**

**ASCB 0150 60-P16**

**ASCB 0150 60-P16-K**



**SPARE PARTS:**

- ④ Slider guide
- ⑥ Slider Plate
- ⑬ Coil Spring
- ⑳ Coil Spring\*

## COMPONENTS

No.	Description	Qty.	Material
①	Cam Holder	1	GG25
②	Cam Slider	1	GG25
③	Cam Driver	1	GG25
④	Slider guide	1	Bronze + G
⑤	Slider Guide Block	1	GGG50 + G
⑥	Slider Plate	2	Bronze + G
⑦	Positive Return	2	CK45
⑧	Stopper Plate	1	CK22
⑨	Spring guide	1	CK45
⑩	Security Plate	1	CK45
⑪	Slider Key	1	CK45
⑫	Cushioning Stopper	2	Urethane

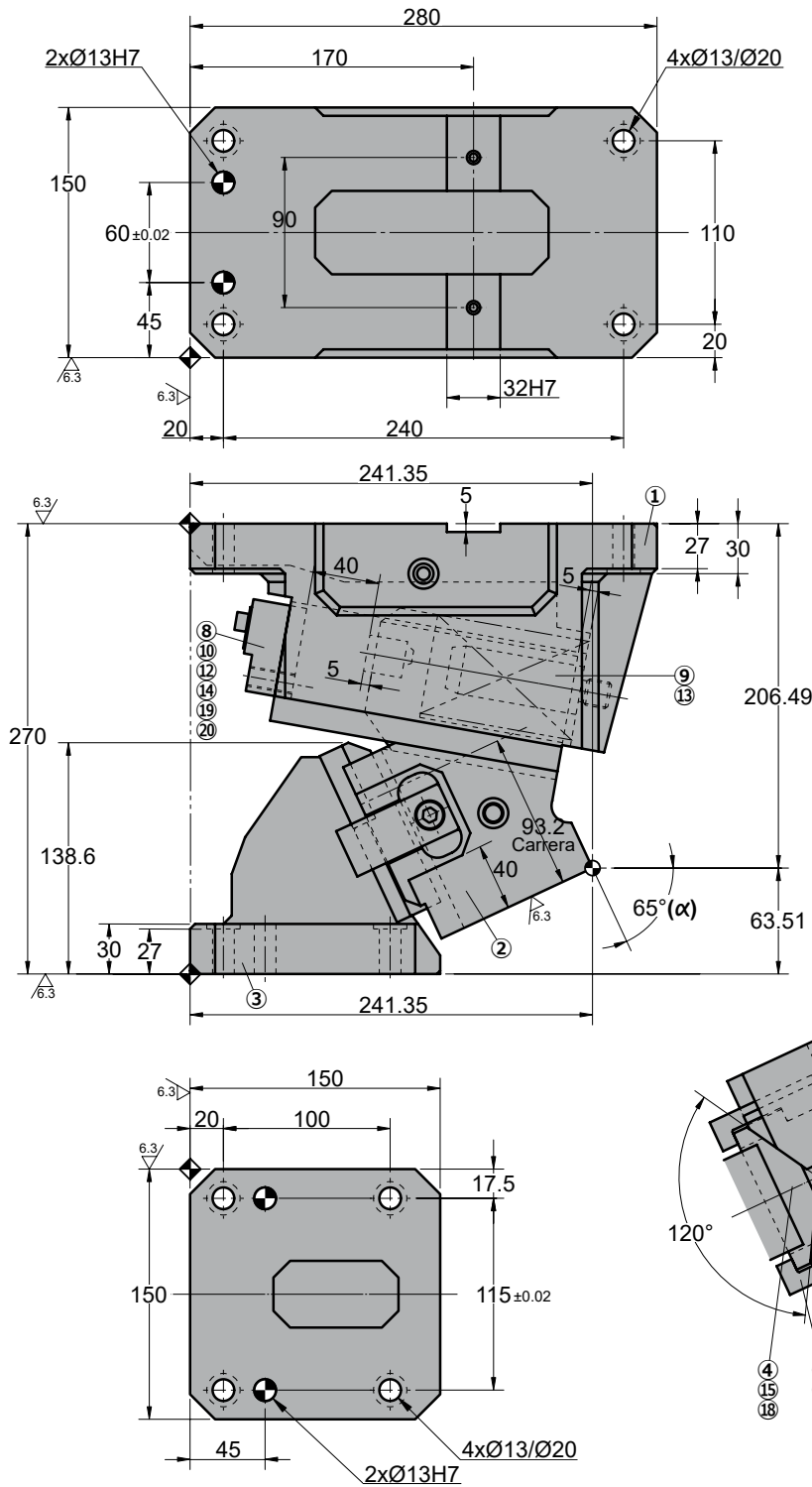
No.	Description	Qty.	Material
⑬	Coil Spring	1	TL60-150
⑭	Disc Spring	2	M6
⑮	Dowel Pin	2	Ø10 x 40
⑯	Screw	4	M12 x 30
⑰	Screw	8	M10 x 25
⑱	Screw	2	M10 x 35
⑲	Screw	2	M16 x 35
⑳	Screw	2	M6 x 15
*⑬	Coil Spring	1	TH60-60
*⑳	Coil Spring	1	TF40-90
*㉑	Casquillo guía	1	CK45

# ASCB 0150 - ASFK 0150

Aerial cam for pierce



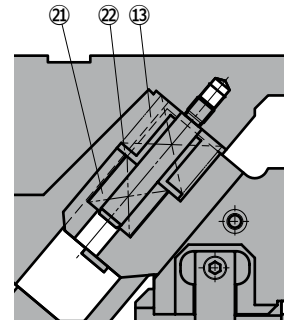
## ASCB 0150 65



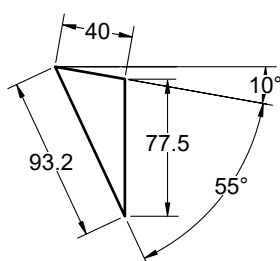
## ASFK 0150 65

SPRING SYSTEM

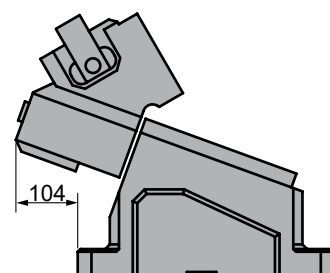
\*-Only for ASFK



### Cam diagram:



### Disassembling space:







# ASCB 0150 - ASFK 0150

Aerial cam for pierce

Stroke (mm)	Working force kN - (tons)		Spring Force N - (kgf)		Weight (Kg)	Model	W (mm)	$\alpha$ (mm)
	(1 Million Strokes)	(300.000 Strokes)	Initial F <sub>0</sub>	Final F <sub>1</sub>				
93.2	88.2 (9.0)	132.3 (13.5)	1429.2 (145.8)	4607.5 (470.2)	42.2	ASCB	0150	65
	123.5 (12.6)	185.2 (18.9)	501.3 (51.2)	9569.4 (975.8)		ASFK		



Order: Model (W) ( $\alpha$ )

**ASCB 0150 65**

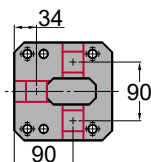
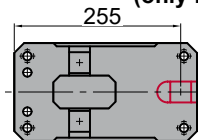
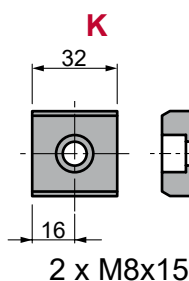
Standard order example according to catalog sheet. Add options applying options table contents.

## OPTIONS

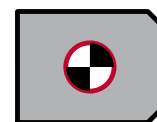
### K - KT

#### KEY

#### KT (only for ASFK)



### P PINS



**P16 - Ø16 H7**

### Order Options: Model (W) ( $\alpha$ )-Option



**ASCB 0150 65-K**

**ASCB 0150 65-P16**

**ASCB 0150 65-P16-K**



### SPARE PARTS:

- ④ Slider guide
- ⑥ Slider Plate
- ⑬ Coil Spring
- ⑳ Coil Spring\*

## COMPONENTS

No.	Description	Qty.	Material
①	Cam Holder	1	GG25
②	Cam Slider	1	GG25
③	Cam Driver	1	GG25
④	Slider guide	1	Bronze + G
⑤	Slider Guide Block	1	GGG50 + G
⑥	Slider Plate	2	Bronze + G
⑦	Positive Return	2	CK45
⑧	Stopper Plate	1	CK22
⑨	Spring guide	1	CK45
⑩	Security Plate	1	CK45
⑪	Slider Key	1	CK45
⑫	Cushioning Stopper	2	Urethane

No.	Description	Qty.	Material
⑬	Coil Spring	1	TL60-150
⑭	Disc Spring	2	M6
⑮	Dowel Pin	2	Ø10 x 40
⑯	Screw	4	M12 x 30
⑰	Screw	8	M10 x 25
⑱	Screw	2	M10 x 35
⑲	Screw	2	M16 x 35
⑳	Screw	2	M6 x 15
*⑬	Coil Spring	1	TH60-60
*⑳	Coil Spring	1	TF40-90
*㉑	Casquillo guía	1	CK45





# ASCB 0150 - ASFK 0150

Aerial cam for pierce

Stroke (mm)	Working force kN - (tons)		Spring Force N - (kgf)		Weight (Kg)	Model	W (mm)	$\alpha$ (mm)
	(1 Million Strokes)	(300.000 Strokes)	Initial F <sub>0</sub>	Final F <sub>1</sub>				
86.4	88.2 (9.0)	132.3 (13.5)	2223.2 (226.8)	4607.5 (470.2)	43.5	ASCB	0150	70
	123.5 (12.6)	185.2 (18.9)	779.8 (79.6)	9569.4 (975.8)		ASFK		



Order: Model (W) ( $\alpha$ )

**ASCB 0150 70**

Standard order example according to catalog sheet. Add options applying options table contents.

## OPTIONS

<p><b>K - KT</b> KEY</p> <p><b>K</b> 32 16 2 x M8x15</p> <p><b>KT</b> (only for ASFK) 255 34 90 6 x M8x15</p>	<p><b>P</b> PINS</p> <p><b>P16 - Ø16 H7</b></p>
---	---

Order Options: Model (W) ( $\alpha$ )-Option



**ASCB 0150 70-K**

**ASCB 0150 70-P16**

**ASCB 0150 70-P16-K**



**SPARE PARTS:**

- ④ Slider guide
- ⑥ Slider Plate
- ⑬ Coil Spring
- ⑳ Coil Spring\*

## COMPONENTS

No.	Description	Qty.	Material
①	Cam Holder	1	GG25
②	Cam Slider	1	GG25
③	Cam Driver	1	GG25
④	Slider guide	1	Bronze + G
⑤	Slider Guide Block	1	GGG50 + G
⑥	Slider Plate	2	Bronze + G
⑦	Positive Return	2	CK45
⑧	Stopper Plate	1	CK22
⑨	Spring guide	1	CK45
⑩	Security Plate	1	CK45
⑪	Slider Key	1	CK45
⑫	Cushioning Stopper	2	Urethane

No.	Description	Qty.	Material
⑬	Coil Spring	1	TL60-150
⑭	Disc Spring	2	M6
⑮	Dowel Pin	2	Ø10 x 40
⑯	Screw	4	M12 x 30
⑰	Screw	8	M10 x 25
⑱	Screw	2	M10 x 35
⑲	Screw	2	M16 x 35
⑳	Screw	2	M6 x 15
*⑬	Coil Spring	1	TH60-60
*⑳	Coil Spring	1	TF40-90
*㉑	Casquillo guía	1	CK45

# ASCB 0150 - ASFK 0150



*Aerial cam for pierce*